

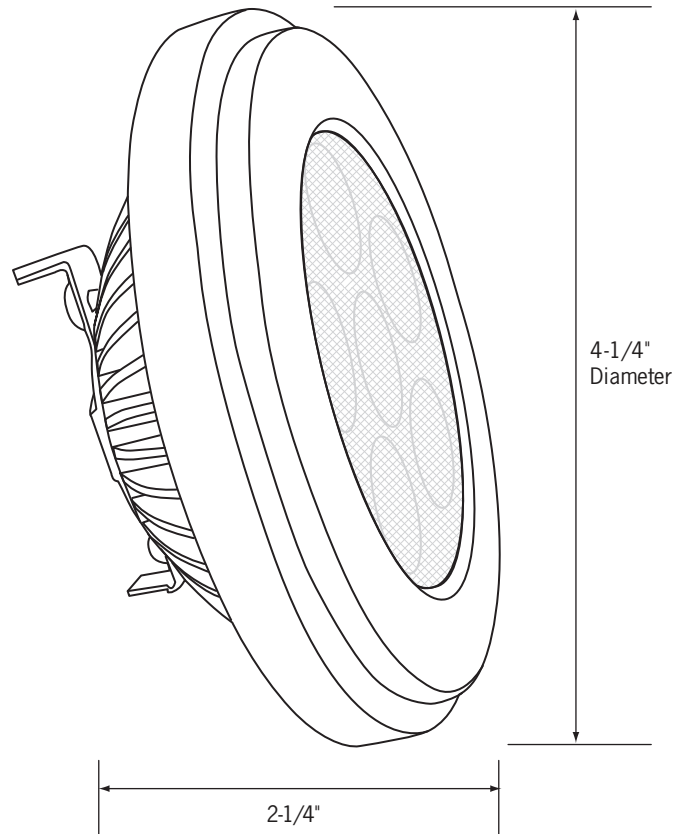
# 10LEDAR

## 10W AR111 12V LED Lamp Module

Catalog No. \_\_\_\_\_

Type \_\_\_\_\_

Project \_\_\_\_\_



### Specifications/Features

#### Lamp

(6) 1.6W LEDs, 12V constant voltage input; 10W total.  
Select from 25° and 40° beam distributions.  
Cool White: 6000°K, 104 lumens (each LED), CRI of 76.  
Neutral White: 4000°K, 87 lumens (each LED), CRI of 78.  
Warm White: 3000°K, 86 lumens (each LED), CRI of 80.  
Designed for use with line voltage track fixtures (CTL802810L) and concealed adjustable recessed fixtures (RAN10111). Contact factory for approval of specific luminaire compatibility.

#### Electrical

10W, 120V Primary and 12V Secondary.

#### Warranty

This lamp is covered by Con-Tech's full three (3) year replacement guarantee after date of purchase.

### Ordering Information

Example Order:  -

Lamp	Lens	Color Temperature	Finish
<input type="text" value="10LEDAR"/>	<input type="text" value="25 - 25° Lens&lt;br/&gt;40 - 40° Lens"/>	<input type="text" value="C - Cool White (6000°K)&lt;br/&gt;N - Neutral White (4000°K)&lt;br/&gt;W - Warm White (3000°K)"/>	<input type="text" value="B - Black&lt;br/&gt;P - White&lt;br/&gt;S - Silver"/>



# 10LEDAR

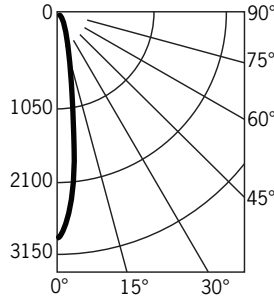
## 10W AR111

### 12V LED Lamp Module

**25° Cool White Each Lamp: (6) 1.67W White LEDs Test: 61658**

#### Performance Data

**Lumens:** 402  
**Lumens Per Watt:** 39.4  
**Watts@120V:** 10.2  
**Lumen Maintenance:** >70% of Initial Lumens @ 50,000 Hours  
**Color Temperature (CCT):** 6000°K Cool White  
**Color Rendering Index (CRI):** 76



#### Candlepower Summary

FROM 0	ZONAL LUMENS
0	64
5	119
15	84
25	23
35	9
45	6
55	6
65	4
75	3
85	1
95	0

#### Cone of Light

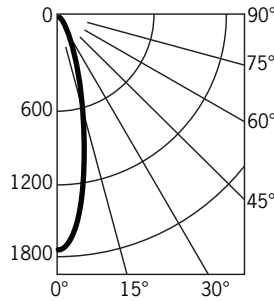
Note: Diameter shown is where fc value is half the fc at nadir.

DISTANCE (FT.)	FOOTCANDLES (FC)	BEAM DIAMETER (FT.)
6'	83.9	1.7
8'	47.2	2.3
10'	30.2	2.9
12'	21.0	3.5
14'	15.4	4.0
16'	11.8	4.6

**40° Cool White Each Lamp: (6) 1.67W White LEDs Test: 61847**

#### Performance Data

**Lumens:** 415  
**Lumens Per Watt:** 40.7  
**Watts@120V:** 10.2  
**Lumen Maintenance:** >70% of Initial Lumens @ 50,000 Hours  
**Color Temperature (CCT):** 6000°K Cool White  
**Color Rendering Index (CRI):** 76



#### Candlepower Summary

FROM 0	ZONAL LUMENS
0	131
5	163
15	59
25	21
35	13
45	10
55	8
65	5
75	1
85	1
95	0

#### Cone of Light

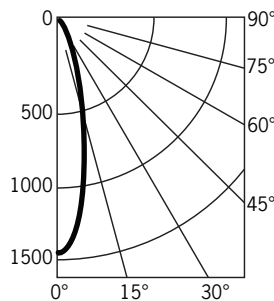
Note: Diameter shown is where fc value is half the fc at nadir.

DISTANCE (FT.)	FOOTCANDLES (FC)	BEAM DIAMETER (FT.)
6'	48.9	2.4
8'	27.5	3.2
10'	17.6	4.0
12'	12.2	4.8
14'	9.0	5.6
16'	6.9	6.4

**40° Neutral White Each Lamp: (6) 1.67W White LEDs Test: 61846**

#### Performance Data

**Lumens:** 352  
**Lumens Per Watt:** 34.2  
**Watts@120V:** 10.3  
**Lumen Maintenance:** >70% of Initial Lumens @ 50,000 Hours  
**Color Temperature (CCT):** 4000°K Neutral White  
**Color Rendering Index (CRI):** 78



#### Candlepower Summary

FROM 0	ZONAL LUMENS
0	105
5	135
15	53
25	20
35	12
45	9
55	7
65	5
75	1
85	1
95	0

#### Cone of Light

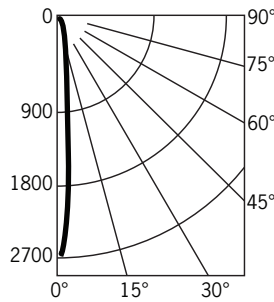
Note: Diameter shown is where fc value is half the fc at nadir.

DISTANCE (FT.)	FOOTCANDLES (FC)	BEAM DIAMETER (FT.)
6'	38.9	2.5
8'	21.9	3.3
10'	14.0	4.1
12'	9.7	4.9
14'	7.1	5.7
16'	5.5	6.6

**25° Warm White Each Lamp: (6) 1.67W White LEDs Test: 61844**

#### Performance Data

**Lumens:** 343  
**Lumens Per Watt:** 32.7  
**Watts@120V:** 10.5  
**Lumen Maintenance:** >70% of Initial Lumens @ 50,000 Hours  
**Color Temperature (CCT):** 3000°K Warm White  
**Color Rendering Index (CRI):** 80



#### Candlepower Summary

FROM 0	ZONAL LUMENS
0	154
5	109
15	34
25	14
35	10
45	8
55	6
65	3
75	0
85	0
95	0

#### Cone of Light

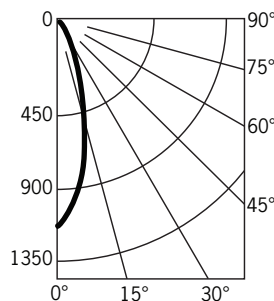
Note: Diameter shown is where fc value is half the fc at nadir.

DISTANCE (FT.)	FOOTCANDLES (FC)	BEAM DIAMETER (FT.)
6'	74.6	1.6
8'	42.0	2.2
10'	26.9	2.7
12'	18.7	3.3
14'	13.7	3.8
16'	10.5	4.3

**40° Warm White Each Lamp: (6) 1.67W White LEDs Test: 61845**

#### Performance Data

**Lumens:** 300  
**Lumens Per Watt:** 28.8  
**Watts@120V:** 10.4  
**Lumen Maintenance:** >70% of Initial Lumens @ 50,000 Hours  
**Color Temperature (CCT):** 3000°K Warm White  
**Color Rendering Index (CRI):** 80



#### Candlepower Summary

FROM 0	ZONAL LUMENS
0	90
5	117
15	45
25	16
35	10
45	7
55	6
65	4
75	0
85	0
95	0

#### Cone of Light

Note: Diameter shown is where fc value is half the fc at nadir.

DISTANCE (FT.)	FOOTCANDLES (FC)	BEAM DIAMETER (FT.)
6'	33.4	2.5
8'	18.8	3.3
10'	12.0	4.1
12'	8.3	4.9
14'	6.1	5.8
16'	4.7	6.6

