



# 1238LEDMG

## 11W Pure Light LED PAR38 Lamp, GU24 Base

Catalog No. \_\_\_\_\_

Type \_\_\_\_\_

Project \_\_\_\_\_

### Specifications/Features

#### Lamp

Energy efficient, 11W PAR38 LED lamp powered with CREE TrueWhite™ Technology.

A better way to generate white light that uses a patented mixture of unsaturated yellow and saturated red LEDs.

Designed to last 50,000 hours in open fixtures; 35,000 hours in recessed downlights.

Color management system maintains color consistency over time and temperature.

Color Rendering Index of 93.

Correlated Color Temperature of 2700°K.

Lumen output = 604 (56 Lumens per Watt).

19° Beam spread with Center Beam Candle Power (CBCP) of 4,500.

R9 Red color value of 93.

Durable die-cast aluminum housing with tempered glass lens to protect the LEDs and reflector.

Designed for use in most open and semi-enclosed PAR38 light fixtures.

Consult factory for specific luminaire compatibility.

*Verify fit in fixtures that utilize the face of the lamp for mechanical attachment to ensure compatibility.*

#### Dimming

Dimmable to 20% with ELV dimmers.

#### Electrical

10.8W, 120V (+/- 10V) GU24 base.

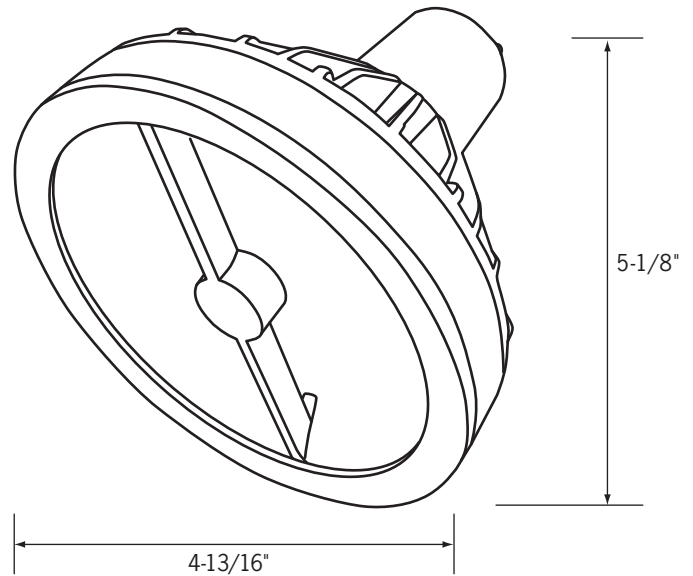
#### Warranty

This complete fixture is covered by Con-Tech's full five (5) year replacement guarantee after date of purchase.

#### Listing

cULus listed. Suitable for dry locations.

RoHS compliant, contains no lead or mercury.



### Ordering Information

Example Order:



**1238LEDMG** - 11W PAR38 LED Lamp, GU24 Base



# 1238LEDMG

11W Pure Light LED PAR38 Lamp, GU24 Base

Catalog No. \_\_\_\_\_

Type \_\_\_\_\_

Project \_\_\_\_\_

## Photometrics

**Light Output (Lumens):** 604

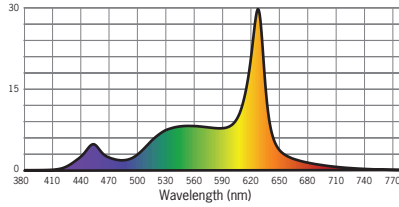
**Total Watts@120V:** 10.8

**Lumens Per Watt:** 56

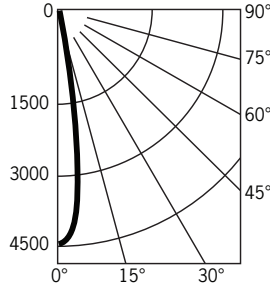
**Color Rendering Index (CRI)<sup>1</sup>:** 93

**Color Temperature (CCT)<sup>2</sup>:** 2700K Warm White

**Spectral Power Distribution Chart<sup>3</sup>**



**Candela Curve**



**Candlepower Summary**

FROM 0	CANDELA	LUMENS
0	4485	
5	3829	305
15	680	220
25	87	52
35	24	8
45	8	5
55	5	6
65	5	7
75	0	1
85	0	0
95	0	

**Intensity Distribution**

DISTANCE (FT.)	FOOTCANDLES (FC)	BEAM DIAMETER (FT.)
6'	124.6	1.9
8'	70.1	2.6
10'	44.8	3.2
12'	31.1	3.9
14'	22.9	4.5
16'	17.5	5.2

**Beam Distribution: 19°**

Designed for 50,000 Hour Lamp Life\*; LM-79 Test No. 68413

1. Accuracy of rendering colors  
 2. Color appearance of light source  
 3. Colors present within the light source

\*Dependent on surrounding temperatures