

1238LEDM

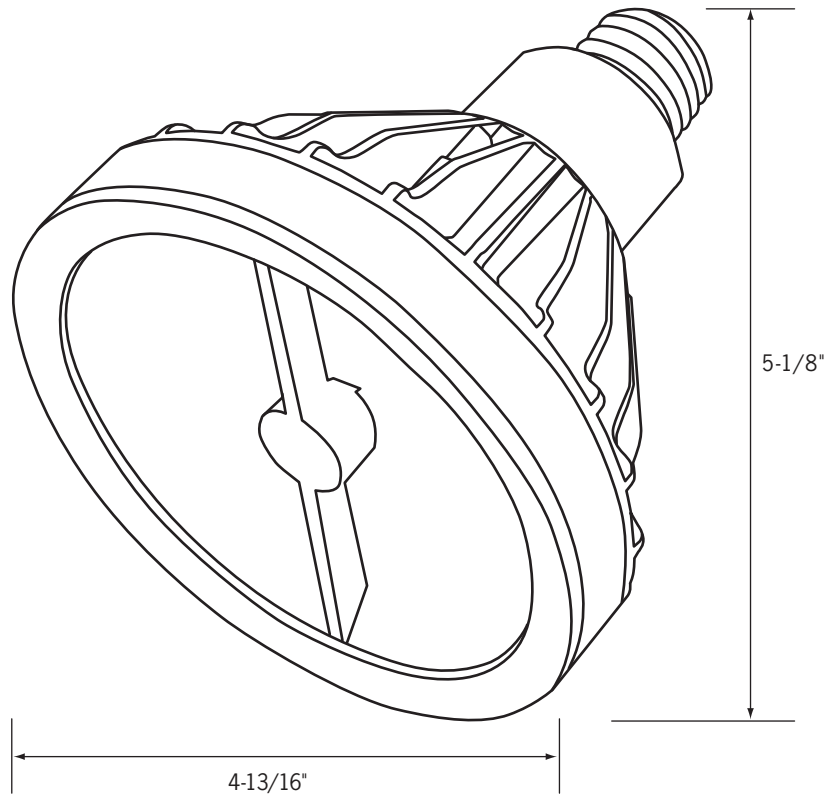
purelight™

12W LED PAR38 Lamp
E26 Base

Catalog No. _____

Type _____

Project _____



Specifications/Features

Lamp

Energy efficient, 12W PAR38 LED lamp powered with CREE TrueWhite™ Technology.

A better way to generate white light that uses a patented mixture of unsaturated yellow and saturated red LEDs.

Designed to last 50,000 hours in open fixtures; 35,000 hours in non-IC recessed downlights.

Color management system maintains color consistency over time and temperature.

Color Rendering Index of 92.

Correlated Color Temperature of 2700°K.

Lumen output = 523 (51 Lumens per Watt).

20° Beam spread with Center Beam Candle Power (CBCP) of 4,000.

R9 Red color value of 72.

Durable die-cast aluminum housing with tempered glass lens to protect the LEDs and reflector.

Designed for use in most open and semi-enclosed PAR38 light fixtures. Consult factory for specific luminaire compatibility.

Verify fit in fixtures that utilize the face of the lamp for mechanical attachment to ensure compatibility.

Electrical

10.2W, 120V (+/- 10V) E26 base.

Warranty

This lamp is covered by Con-Tech's full three (3) year replacement guarantee after date of purchase.

Labels/Usage

cULus listed. Suitable for damp locations.

RoHS compliant, contains no lead or mercury.

Ordering Information

Example Order:



1238LEDM - 12W PAR38 LED Lamp, E26 Base



1238LEDM

purelight™

12W LED PAR38 Lamp

Catalog No. _____

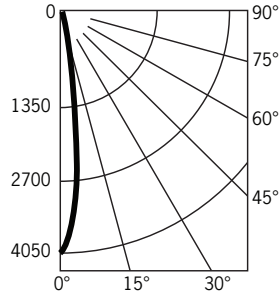
Type _____

Project _____

Lamp: (1) 12W PAR38 LED Test No.: 62309

Performance Data

Lumens: 523
Lumens Per Watt: 51
Watts@120V: 10.2
Color Temperature (CCT): 2700°K
Color Rendering Index (CRI): 92
Spacing Criteria: 0.3



Candlepower Summary

FROM 0	CANDELA
0	3942
5	3326
15	663
25	85
35	5
45	4
55	5
65	7
75	0
85	0
95	0

Cone of Light

DISTANCE (FT.)	FOOTCANDLES (FC)	BEAM DIAMETER (FT.)
6'	109.5	1.9
8'	61.6	2.6
10'	39.4	3.2
12'	27.4	3.8
14'	20.1	4.5
16'	15.4	5.1

Note: Diameter shown is where fc value is half the fc at nadir.

