

Specifications/Features

Housing Sections

Busway housings consist of an extruded aluminum (6005-T5 unpainted) outer shell with PVC insulated copper conductor strips mounted on two opposite interior side walls. Aluminum extrusion acts as 100% ground path meeting UL 857 Standard. Complies with applicable paragraphs of Section 250 of the NEC.

Open access slot in length of each housing allows for insertion of turn-n-lock plug-in units.

Housing configurations include 2 and 4 pole varieties at 60 Amp, 600 V.

Voltage Drop: distributed load Single Phase 40ft. (.8PF).

Available in 5', 10' and 20' lengths as well as factory cut lengths between 1 and 19 feet.

Busway housings are connected using plug-in connectors and plate or wrap around type housing couplers (sold separately).

Warranty

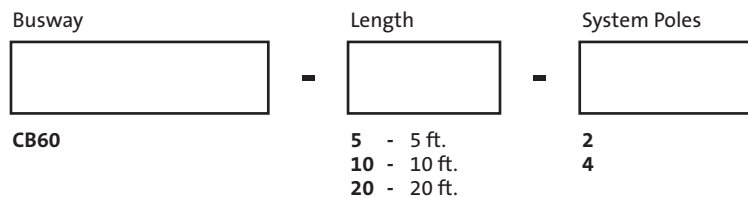
This busway system is covered by Con-Tech's one year full replacement guarantee after installation.

Listing

cULus listed. Suitable for dry locations.

Ordering Information

Example Order: - -



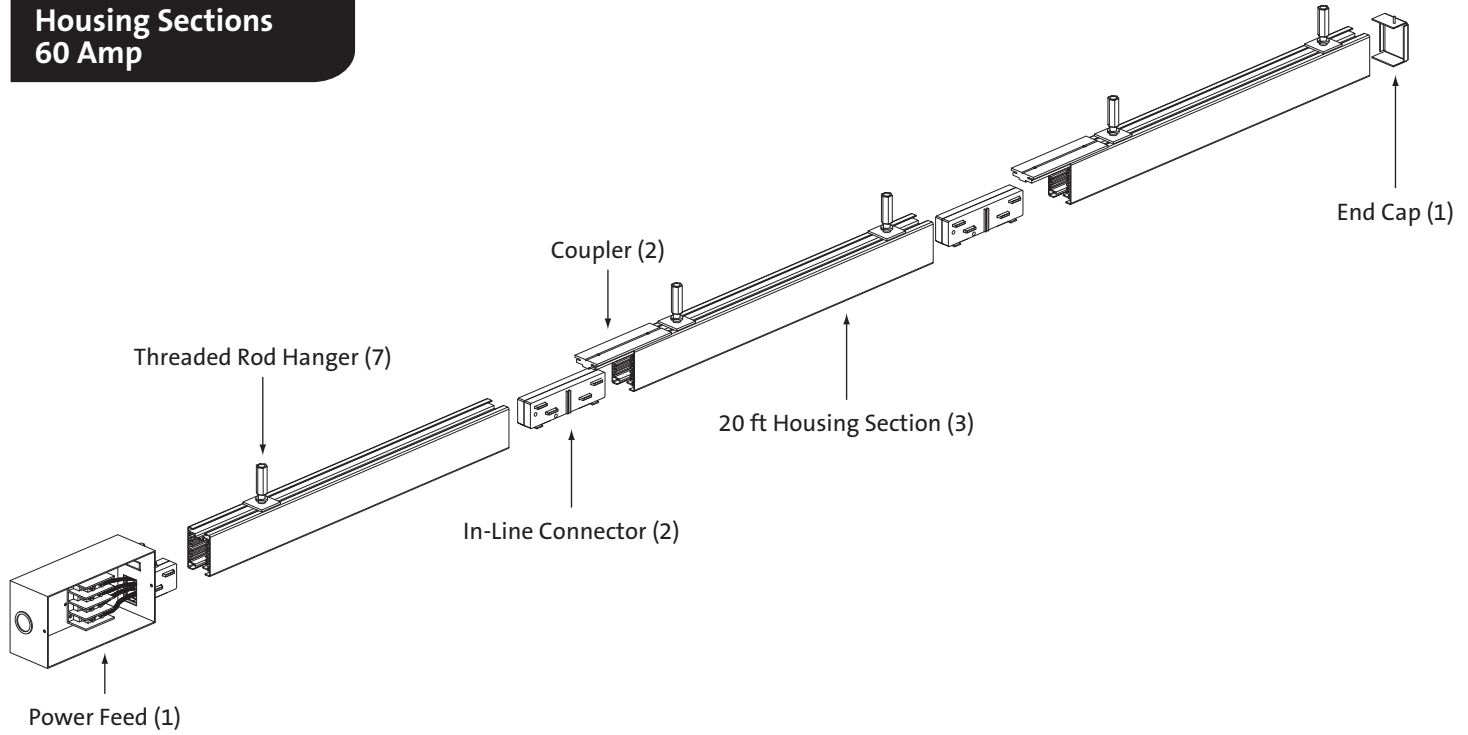
Note: Busway sections **CANNOT** be cut on site.

Factory cut lengths between 1 and 19 feet can be ordered. Consult Factory for price, weights, and delivery.

**Housing Sections
60 Amp**

Description:

Straight run, 60 feet long, 4-pole with End Feed and supported by 3/8" threaded rod.



BILL OF MATERIAL

QTY	PART NO.	DESCRIPTION
3	CB60-20-4	Housing Section, 20 Ft., 4-Pole
2	CBC-4	In-Line Connector, 4-Pole
2	CHC-2	Housing Coupler, Plate Type
1	CEC60	End Cap
7	CRHB-3	3/8" Thread Rod Hanger
1	CEPF60-4	End Power Feed, 4-Pole