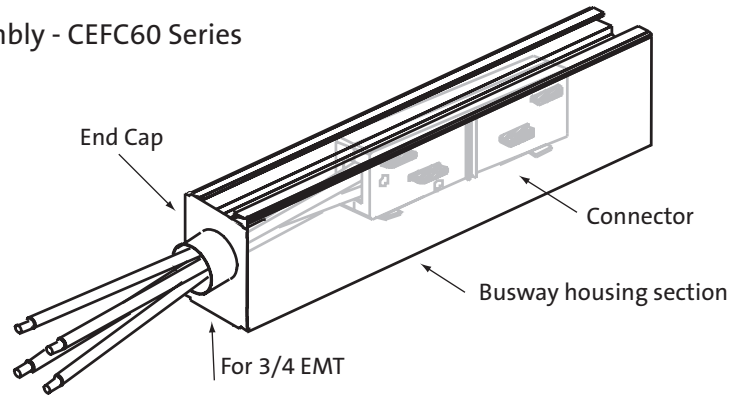
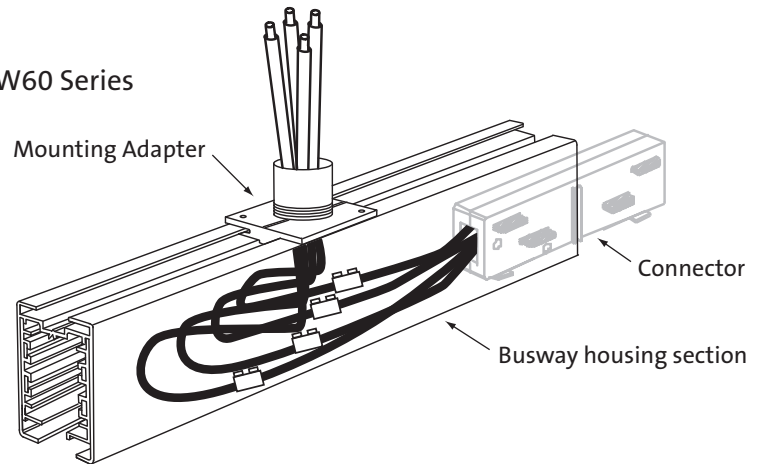


Complete assembly - CEFC60 Series



Complete assembly - CPW60 Series



Specifications/Features

Supplying power to End of Busway

Concealed Power Feed - This design of power feed is used primarily in applications where aesthetic appearance is important. These units feed power to an end point in the CB60 Busway. Wire leads are preassembled to the connector and eliminate the junction box on the busway. Twenty-four inch wire length is standard, but any length can be supplied.

Starter Section Power Feed - This design of power feed is used primarily in applications where aesthetic appearance is important. These units feed power to any point in the CB60

Busway without the use of a junction box. Housing Couplers (CHC-1 or CHC-2, sold separately) are used to connect the Starter Section to the Busway run. Use the included Mounting Adapter to connect 1.000" NPT conduit to the center feed.

Warranty

This busway system is covered by Con-Tech's one year full replacement guarantee after installation.

Listing

cULus listed. Suitable for dry locations.

Ordering Information

Example Order: -

Series Type

System Poles

CEFC60 - End Feed, Concealed
CPW60 - Starter Section Power Feed

2
4