

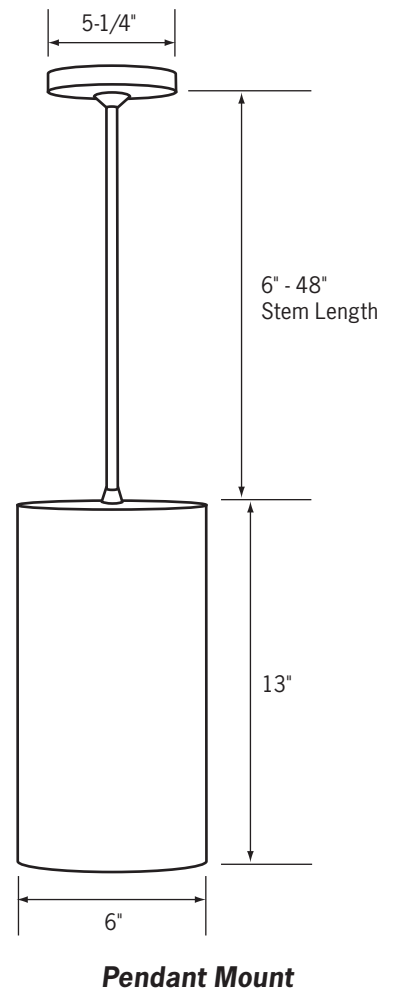
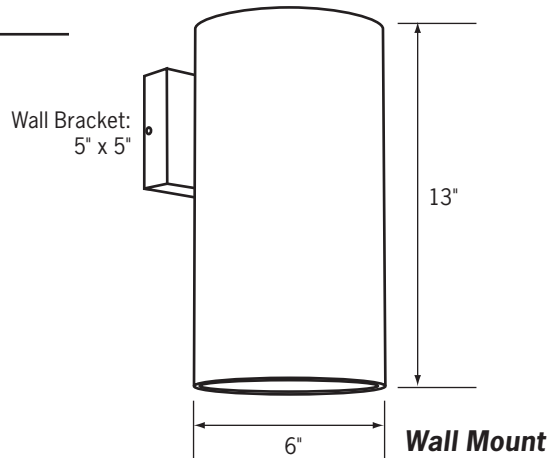
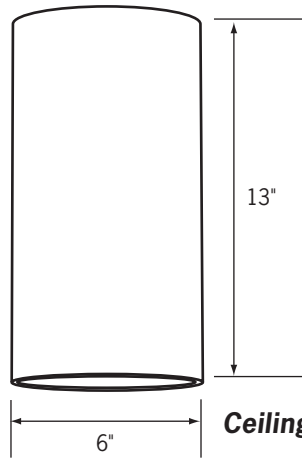
# CF6

## 6" Compact Fluorescent Cylinder

Catalog No. \_\_\_\_\_

Type \_\_\_\_\_

Project \_\_\_\_\_



### Specifications/Features

#### Fixture

6" diameter extruded aluminum construction for indoor commercial and industrial applications.  
 Three mounting options available: ceiling mount, pendant mount or wall mount.  
 Pendant mount fixtures feature a sloped ceiling canopy (select stem kits separately below).  
 Wall mount bracket provides easy, one handed installation. Wall mount bracket center point is 3" below the top edge of the fixture.  
 Safety chain connects the cylinder to the lid (ceiling mount and pendant mount).

#### Lamp/Electrical

Electronic ballast options for (1) 26W Quad or TTT, 32W TTT or 42W TTT CFL lamps with multi-volt input voltage of 120V to 277V.

#### Mounting

Ceiling mount, pendant mount or wall mount (hardware included for mounting to octagonal or rectangular switch junction box).

#### Warranty

This fixture is covered by Con-Tech's full one year replacement guarantee after date of purchase.

#### Labels/Usage

cULus listed. Suitable for damp locations.

### Ordering Information

Example Order:  -

Fixture	Lamp	Mounting	Baffle/Reflector	Finish	Stem Kit - Pendant Mount Only
<input type="text"/>	<input type="text"/>	<input type="text"/>	<input type="text"/>	<input type="text"/>	<input type="text"/>

**CF6**

**26** - 26W QUAD/TTT  
**32** - 32W TTT  
**42** - 42W TTT

**C** - Ceiling Mount  
**P** - Pendant Mount  
**W** - Wall Mount

**B** - Black Baffle  
**C** - Clear Reflector

**B** - Black  
**P** - White  
**S** - Silver

**CSK6-(B,P,S)** - 6" Stem Kit  
**CSK12-(B,P,S)** - 12" Stem Kit  
**CSK18-(B,P,S)** - 18" Stem Kit  
**CSK24-(B,P,S)** - 24" Stem Kit  
**CSK30-(B,P,S)** - 30" Stem Kit  
**CSK36-(B,P,S)** - 36" Stem Kit  
**CSK48-(B,P,S)** - 48" Stem Kit

