

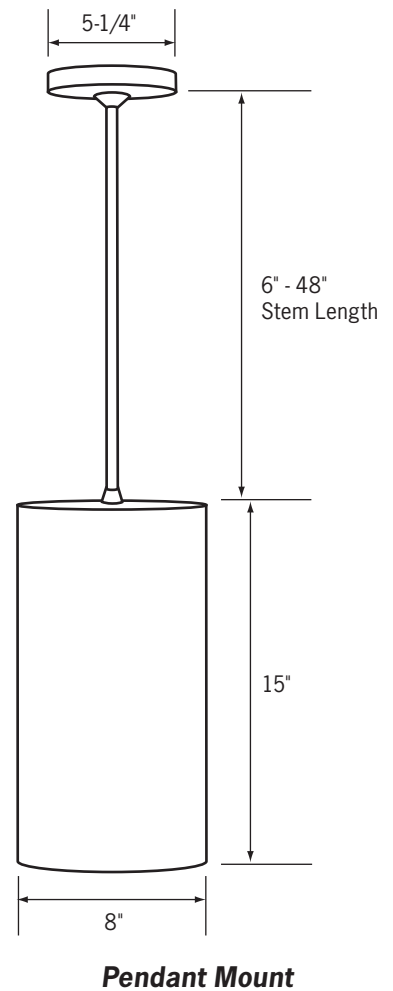
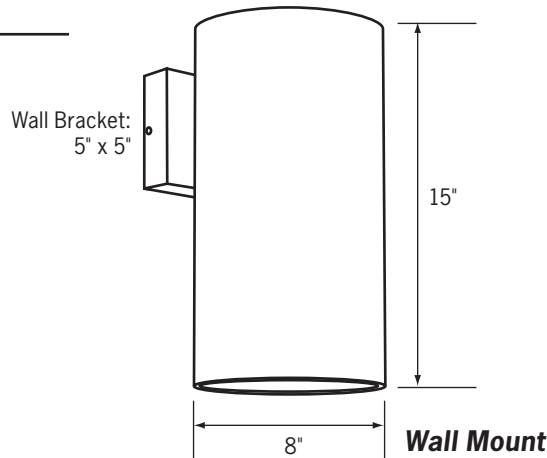
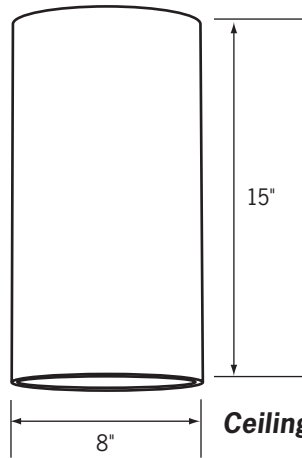
CF8

8" Compact Fluorescent Cylinder

Catalog No. _____

Type _____

Project _____



Specifications/Features

Fixture

8" diameter extruded aluminum construction for indoor commercial and industrial applications.
 Three mounting options available: ceiling mount, pendant mount or wall mount.
 Pendant mount fixtures feature a sloped ceiling canopy (select stem kits separately below).
 Wall mount bracket provides easy, one handed installation.
 Safety chain connects the cylinder to the lid (ceiling mount and pendant mount).

Lamp/Electrical

Electronic ballast options for (1) 26W Quad or TTT, 32W TTT or 42W TTT CFL lamps with multi-volt input voltage of 120V to 277V.

Mounting

Ceiling mount, pendant mount or wall mount (hardware included for mounting to octagonal or rectangular switch junction box).

Warranty

This fixture is covered by Con-Tech's full one year replacement guarantee after date of purchase.

Labels/Usage

cULus listed. Suitable for damp locations.

Ordering Information

Example Order: -

Fixture	Lamp	Mounting	Baffle/Reflector	Finish	Stem Kit - Pendant Mount Only
<input type="text"/>	<input type="text"/>	<input type="text"/>	<input type="text"/>	<input type="text"/>	<input type="text"/>

CF8

26 - 26W QUAD/TTT
32 - 32W TTT
42 - 42W TTT

C - Ceiling Mount
P - Pendant Mount
W - Wall Mount

B - Black Baffle
C - Clear Reflector

B - Black
P - White
S - Silver

CSK6-(B,P,S) - 6" Stem Kit
CSK12-(B,P,S) - 12" Stem Kit
CSK18-(B,P,S) - 18" Stem Kit
CSK24-(B,P,S) - 24" Stem Kit
CSK30-(B,P,S) - 30" Stem Kit
CSK36-(B,P,S) - 36" Stem Kit
CSK48-(B,P,S) - 48" Stem Kit

