

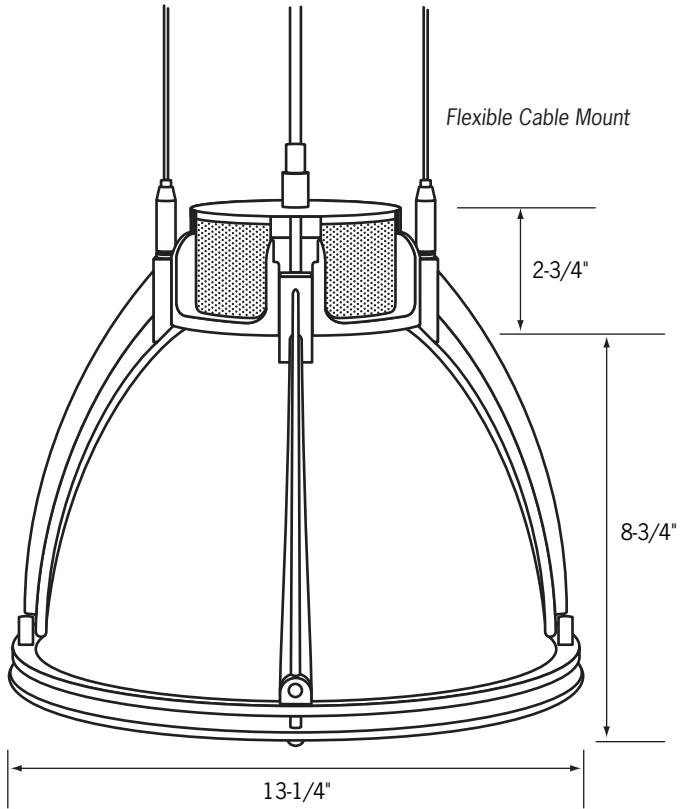
# CGM12 stemlight

12" Metal Halide  
Stemlight with Glass Shade

Catalog No. \_\_\_\_\_

Type \_\_\_\_\_

Project \_\_\_\_\_



## Specifications/Features

### Fixture

Add a splash of color with these decorative glass pendants. Designed for retail and commercial applications. Installation options include cable or stem mono-point ceiling canopies. Suspension options include 120" field adjustable flexible cable with aircraft cable supports or various rigid stem lengths (sold separately). Maximum allowable stem length is 10 feet. Frosted glass lens encloses the bottom of the fixture to reduce glare.

### Lamp

- CGM1250: (1) 50W ED17 CMH, E26 Medium Base.
- CGM1270: (1) 70W ED17 CMH, E26 Medium Base.
- CGM1210: (1) 100W ED17 CMH, E26 Medium Base.
- CGM1215: (1) 150W ED17 CMH, E26 Medium Base.

### Electrical

Electronic Ceramic Metal Halide ballast, 120/277V operation.

- 50W Input power: 56W; Input current: 0.48A @ 120V.
- 50W Input power: 56W; Input current: 0.21A @ 277V.
- 70W Input power: 80W; Input current: 0.67A @ 120V.
- 70W Input power: 79W; Input current: 0.29A @ 277V.
- 100W Input power: 110W; Input current: 0.92A @ 120V.
- 100W Input power: 109W; Input current: 0.40A @ 277V.
- 150W Input power: 160W; Input current: 1.33A @ 120V.
- 150W Input power: 158W; Input current: 0.57A @ 277V.

### Warranty

This fixture is covered by Con-Tech's one (1) year full replacement guarantee after date of purchase. Ballast is covered by manufacturer's five (5) year warranty.

### Listing

CSA Listed. Suitable for damp locations.

## Ordering Information

Example Order:  -

Fixture	Lamp Wattage	Shade	Mounting	Finish
<input type="text"/>	<input type="text"/>	<input type="text"/>	<input type="text"/>	<input type="text"/>
<b>CGM12</b>	<b>50</b> - 50W <b>70</b> - 70W <b>10</b> - 100W <b>15</b> - 150W	<b>A</b> - Acrylic <b>AL</b> - Aluminum <b>B</b> - Blue Glass <b>R</b> - Red Glass <b>W</b> - White Glass	<b>FC</b> - Flexible Cable <b>RS</b> - Rigid Stem*	<b>B</b> - Black <b>P</b> - White <b>S</b> - Silver

### Rigid Stem Lengths for "RS" Mount Only

- 6" STEM(A)-(B,P,S)**
- 12" STEM(A)-(B,P,S)**
- 18" STEM(A)-(B,P,S)**
- 24" STEM(A)-(B,P,S)**
- 30" STEM(A)-(B,P,S)**
- 36" STEM(A)-(B,P,S)**
- 48" STEM(A)-(B,P,S)**
- COUPLING-(B,P,S)** - External Coupling for Connecting Stems



\*Rigid Stem sold separately, does not include aircraft cable. See selection at right.

# CGM12 stemlight

12" Metal Halide  
Stemlight with Glass Shade

Catalog No. \_\_\_\_\_

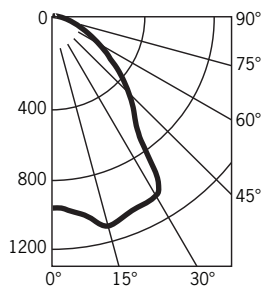
Type \_\_\_\_\_

Project \_\_\_\_\_

## CGM1270AL-FC-P

Lamp: (1) 70W ED17 Lumens: 6200 per lamp Spacing Criteria: 1.27 Test No.: 69524

**Candela Curve**



**Candlepower Summary**

FROM 0	CANDELA	LUMENS
0	985	
5	1004	97
15	1113	310
25	1070	495
35	778	512
45	534	413
55	331	298
65	176	177
75	73	80
85	17	21
95	13	13

**Intensity Distribution**

DISTANCE (FT.)	FOOTCANDLES (FC)	BEAM DIAMETER (FT.)
6'	27.4	8.1
8'	15.4	10.8
10'	9.9	13.5
12'	6.8	16.2
14'	5.0	18.9
16'	3.8	21.6

Beam Distribution: 94°

**Coefficients of Utilization**

RC RW	80%		70%		50%	
	50%	30%	50%	30%	50%	30%
0	47	47	46	46	43	43
1	42	40	41	40	39	38
2	37	35	37	34	35	33
3	33	31	33	30	31	29
4	30	27	29	27	28	26
5	27	24	27	24	26	23
6	25	21	24	21	24	21
7	23	19	22	19	22	19
8	21	18	20	17	20	17
9	19	16	19	16	18	16
10	18	15	17	15	17	14

