

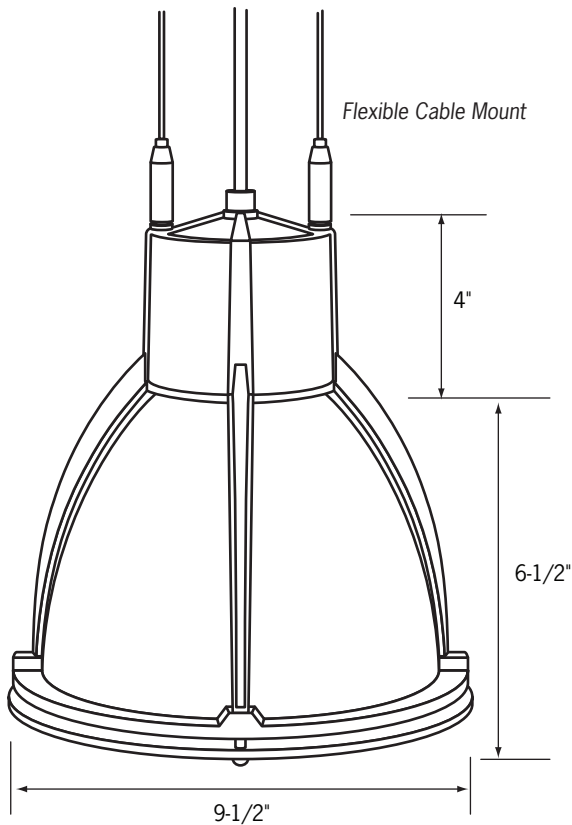
CGM8 stemlight

8" Metal Halide Stemlight

Catalog No. _____

Type _____

Project _____



Specifications/Features

Fixture

Add a splash of color with these decorative glass pendants. Designed for retail and commercial applications. Installation options include cable or stem mono-point ceiling canopies. Suspension options include 120" field adjustable flexible cable with aircraft cable supports or various rigid stem lengths (sold separately). Maximum allowable stem length is 10 feet. Frosted glass lens encloses the bottom of the fixture to reduce glare.

Lamp

CGM850: (1) 50W ED17 CMH, E26 Medium Base.
CGM870: (1) 70W ED17 CMH, E26 Medium Base.
CGM810: (1) 100W ED17 CMH, E26 Medium Base.

Electrical

Electronic Ceramic Metal Halide ballast, 120/277V operation.
50W Input power: 56W; Input current: 0.48A @ 120V.
50W Input power: 56W; Input current: 0.21A @ 277V.
70W Input power: 80W; Input current: 0.67A @ 120V.
70W Input power: 79W; Input current: 0.29A @ 277V.
100W Input power: 110W; Input current: 0.92A @ 120V.
100W Input power: 109W; Input current: 0.40A @ 277V.

Warranty

This fixture is covered by Con-Tech's one (1) year full replacement guarantee after date of purchase. Ballast is covered by manufacturer's five (5) year warranty.

Listing

CSA Listed. Suitable for damp locations.

Ordering Information

Example Order: -

Fixture	Lamp Wattage	Shade	Mounting	Finish
<input type="text"/>	<input type="text"/>	<input type="text"/>	<input type="text"/>	<input type="text"/>
CGM8	50 - 50W 70 - 70W 10 - 100W	AL - Aluminum B - Blue Glass R - Red Glass W - White Glass	FC - Flexible Cable RS - Rigid Stem*	B - Black P - White S - Silver

Rigid Stem Lengths for "RS" Mount Only

- 6" STEM(A)-(B,P,S)
- 12" STEM(A)-(B,P,S)
- 18" STEM(A)-(B,P,S)
- 24" STEM(A)-(B,P,S)
- 30" STEM(A)-(B,P,S)
- 36" STEM(A)-(B,P,S)
- 48" STEM(A)-(B,P,S)
- COUPLING-(B,P,S) - External Coupling for Connecting Stems



*Rigid Stem sold separately, does not include aircraft cable. See selection at right.

CGM8 stemlight

8" Metal Halide Stemlight

Catalog No. _____

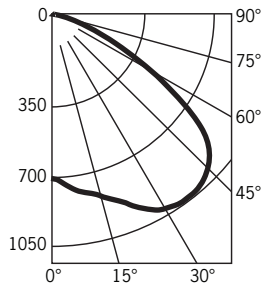
Type _____

Project _____

CGM870ALFC-P

Lamp: (1) 70W ED17 Lumens: 6000 per lamp Spacing Criteria: 1.89 Test No.: 69366

Candela Curve



Candlepower Summary

FROM 0	CANDELA	LUMENS
0	706	
5	736	72
15	805	232
25	957	442
35	1050	654
45	1016	776
55	748	660
65	336	343
75	120	132
85	28	34
95	17	17

Intensity Distribution

DISTANCE (FT.)	FOOTCANDLES (FC)	BEAM DIAMETER (FT.)
6'	19.6	12.1
8'	11.0	16.2
10'	7.1	20.2
12'	4.9	24.2
14'	3.6	28.3
16'	2.8	32.3

Beam Distribution: 128°

Coefficients of Utilization

RC RW	80%		70%		50%	
	50%	30%	50%	30%	50%	30%
0	67	67	66	66	63	63
1	59	57	58	56	55	54
2	52	48	51	47	49	46
3	45	41	44	40	43	39
4	40	35	39	35	38	34
5	35	30	35	30	33	29
6	32	27	31	26	30	26
7	28	23	28	23	27	23
8	26	21	25	21	24	20
9	23	19	23	18	22	18
10	21	17	21	17	20	16

