

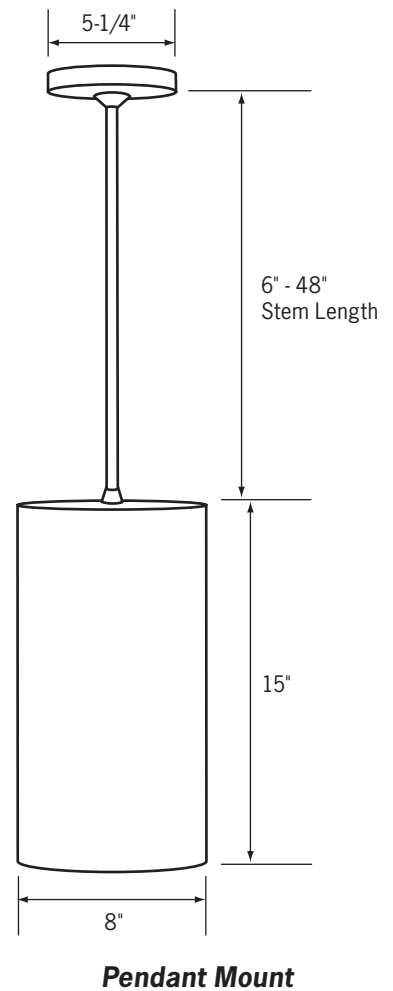
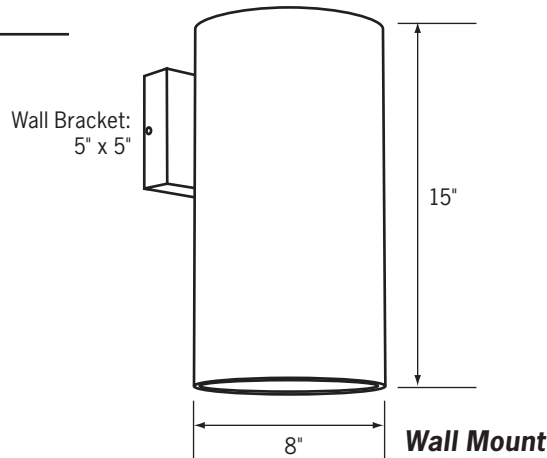
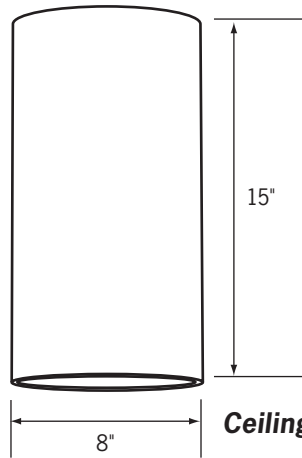
CI8

8" Incandescent Cylinder

Catalog No. _____

Type _____

Project _____



Specifications/Features

Fixture

8" diameter extruded aluminum construction for indoor commercial and industrial applications.

Three mounting options available: ceiling mount, pendant mount or wall mount.

Pendant mount fixtures feature a sloped ceiling canopy (select stem kits separately below).

Wall mount bracket provides easy, one handed installation.

Safety chain connects the cylinder to the lid (ceiling mount and pendant mount).

Lamp/Electrical

250W PAR38, E26 Medium Base, max lamp (ceiling mount and pendant mount), 120-130V.

300W R40 or 250W PAR38, E26 Medium Base, max lamp (wall mount) 120-130V.

Mounting

Ceiling mount, pendant mount or wall mount (hardware included for mounting to octagonal or rectangular switch junction box).

Warranty

This fixture is covered by Con-Tech's full one year replacement guarantee after date of purchase.

Labels/Usage

cULus listed. Suitable for damp locations.

Ordering Information

Example Order: -

Fixture	Mounting	Baffle/Reflector	Finish
<input type="text"/>	<input type="text"/>	<input type="text"/>	<input type="text"/>

CI8

C - Ceiling Mount
P - Pendant Mount
W - Wall Mount

B - Black Baffle
C - Clear Reflector

B - Black
P - White
S - Silver

Stem Kit - Pendant Mount Only

CSK6-(B,P,S) - 6" Stem Kit
CSK12-(B,P,S) - 12" Stem Kit
CSK18-(B,P,S) - 18" Stem Kit
CSK24-(B,P,S) - 24" Stem Kit
CSK30-(B,P,S) - 30" Stem Kit
CSK36-(B,P,S) - 36" Stem Kit
CSK48-(B,P,S) - 48" Stem Kit

