

# stemlight

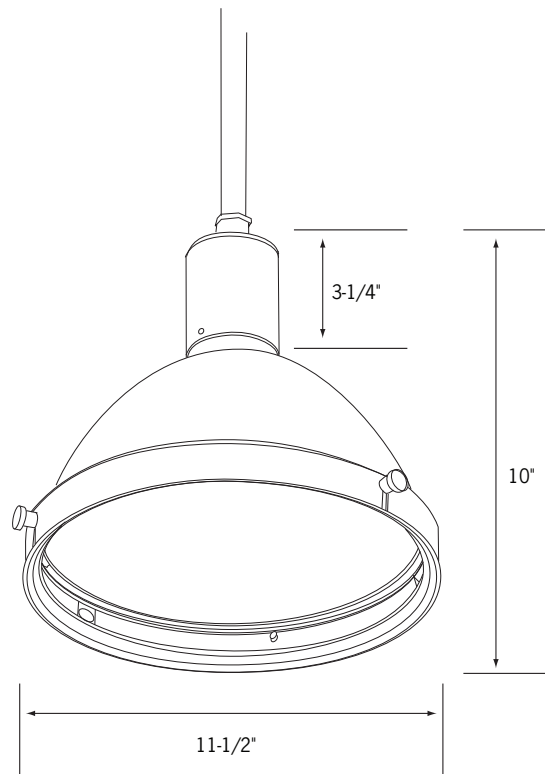
## CM12

12" Metal Halide  
Stemlight with  
Metal Shade

Catalog No. \_\_\_\_\_

Type \_\_\_\_\_

Project \_\_\_\_\_



### Specifications/Features

#### Fixture

Designed for industrial, retail and commercial applications where apparent brightness and high vertical footcandles are required.  
 Installation options: Track or Busway mount with Arotech ballast housing or mono-point ceiling canopy.  
 Suspension options include 120" field adjustable flexible cable or various rigid stem lengths (sold separately). Maximum allowable stem length is 10 feet.  
 Includes prismatic lens assembly.

#### Electrical

50W Input Power: 58W; Input Current: 120V, 0.49A  
 70W Input Power: 78W; Input Current: 120V, 0.67A  
 100W Input Power: 110W; Input Current: 120V, 0.94A

150W Input Power: 164W; Input Current: 120V, 1.37A  
 150W Input Power: 164W; Input Current: 277V, 0.60A

#### Lamp

(1) 50W, 70W, 100W or 150W (dependent on ballast selection)  
 PAR38 or ED17, CMH E26 Medium Base Lamp

#### Warranty

This fixture is covered by Con-Tech's one (1) year full replacement guarantee after date of purchase.

#### Listing

cULus listed. Track and Busway installations are suitable for dry locations. Mono-point installation is suitable for damp locations.

### Ordering Information

Example Order:  -  -  -

Fixture

CM12 - 12" Stemlight

Ballast

**10E** - 100W Electronic Ballast  
**15E** - 150W Electronic Ballast  
**50E** - 50W Electronic Ballast  
**70E** - 70W Electronic Ballast  
**157E** - 150W Electronic Ballast, 277V\*

\*Not available for Track Mount option

Mounting

**CB** - Mono-point, Flexible Cable (120-277V)  
**AB** - Track Mount, Flexible Cable (120V)  
**AC** - Busway Mount, Flexible Cable (120-277V)  
**CS** - Mono-point, Rigid Stem\* (120-277V)

\*Rigid Stem sold separately. See selection at right.

Finish

**B** - Black  
**P** - White  
**S** - Silver

Rigid Stem Lengths ("CS" Mono-Point Option ONLY)

**CLA2** - 2" Stem  
**CLA12INT** - 12" Stem, Internal Coupling  
**CLA18INT** - 18" Stem, Internal Coupling  
**CLA36INT** - 36" Stem, Internal Coupling  
**CLA60INT** - 60" Stem, Internal Coupling



# stemlight CM12

12" Metal Halide  
Stemlight with  
Metal Shade

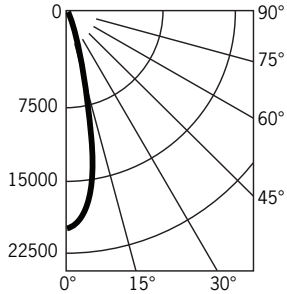
Catalog No. \_\_\_\_\_

Type \_\_\_\_\_

Project \_\_\_\_\_

## CM1270EAB-B

Lamp: (1) 70W BD-17 CMH Lumens: 6300 per lamp Spacing Criteria: 0.4 Efficiency: 72% Test No.: 59995



### Candlepower Summary

FROM 0°	ZONAL LUMENS
5	1552
15	1698
25	645
35	345
45	188
55	78
65	31
75	11
85	3

### Cone of Light

DISTANCE (FT.)	FOOTCANDLES (FC)	BEAM DIAMETER (FT.)
6'	584.4	2.3
8'	328.7	3.1
10'	210.4	3.8
12'	146.1	4.6
14'	107.3	5.4
16'	82.2	6.1

Note: Diameter shown is where fc value is half the fc at nadir.

### Coefficients of Utilization

RC RW	80%		70%		50%	
	50%	30%	50%	30%	50%	30%
0	86	86	84	84	80	80
1	81	80	80	78	77	76
2	77	74	76	73	73	72
3	73	70	72	69	70	68
4	70	67	69	66	67	65
5	67	63	66	63	65	62
6	64	61	64	60	63	60
7	62	58	61	58	60	58
8	60	56	59	56	59	56
9	58	54	57	54	57	54
10	56	53	56	53	55	52

Note: Effective floor cavity reflectance = 20%

\*For 50W data, multiply results by .59 (3,750 lumens)  
 For 100W data, multiply results by 1.48 (9,300 lumens)  
 For 150W data, multiply results by 2.22 (14,000 lumens)

