

CM6

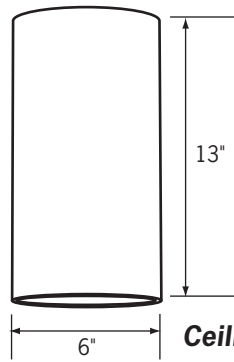
6" Metal Halide Cylinder

Catalog No. _____

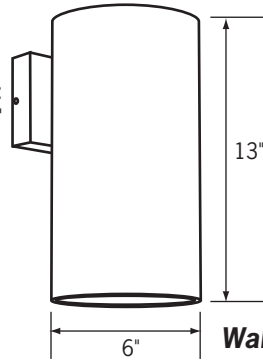
Type _____

Project _____

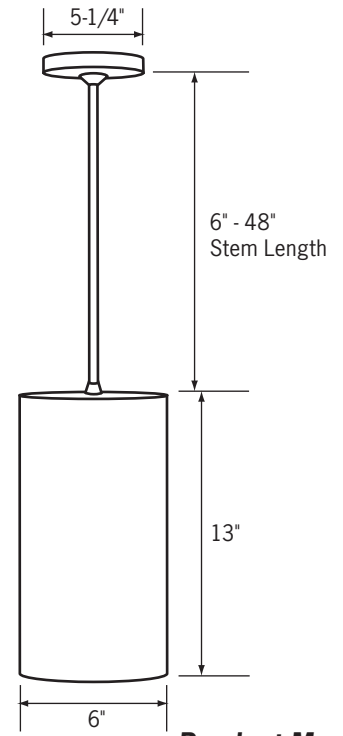
Wall Bracket:
5" x 5"



Ceiling Mount



Wall Mount



Pendant Mount

Specifications/Features

Fixture

6" diameter extruded aluminum construction for indoor commercial and industrial applications.

Three mounting options available: ceiling mount, pendant mount or wall mount.

Pendant mount fixtures feature a sloped ceiling canopy (select stem kits separately below).

Wall mount bracket provides easy, one handed installation.

Safety chain connects the cylinder to the lid (ceiling mount and pendant mount).

Lamp/Electrical

CM639: (1) 39W CMH PAR30LN, E26 Medium Base

CM650: (1) 50W CMH ED17, E26 Medium Base

CM670: (1) 70W CMH ED17, PAR30LN or PAR38, E26 Medium Base

CM6100: (1) 100W CMH ED17 or PAR38, E26 Medium Base

Ballast

Input power: 46W; Input current: 120V 0.39A/39W

Input power: 45W; Input current: 277V 0.18A/39W

Input power: 56W; Input current: 120V 0.41A/50W

Input power: 56W; Input current: 277V 0.21A/50W

Input power: 78W; Input current: 120V 0.65A/70W

Input power: 78W; Input current: 277V 0.28A/70W

Input power: 110W; Input current: 120V 0.92A/100W

Input power: 108W; Input current: 277V 0.39A/100W

Mounting

Ceiling mount, pendant mount or wall mount (hardware included for mounting to octagonal or rectangular switch junction box).

Warranty

This fixture is covered by Con-Tech's full one year replacement guarantee after date of purchase.

Ballast is covered by manufacturer's five (5) year warranty.

Labels/Usage

cULus listed. Suitable for damp locations.

Ordering Information

Example Order: -

| Fixture | Lamp | Mounting | Baffle/Reflector | Finish | Stem Kit - Pendant Mount Only |
|----------------------|----------------------|----------------------|----------------------|----------------------|-------------------------------|
| <input type="text"/> | <input type="text"/> | <input type="text"/> | <input type="text"/> | <input type="text"/> | <input type="text"/> |

CM6

39 - 39W PAR30LN
50 - 50W ED17
70 - 70W ED17,
 PAR30LN,
 or PAR38
100 - 100W ED17
 or PAR38

C - Ceiling Mount
P - Pendant Mount
W - Wall Mount

B - Black Baffle
C - Clear Reflector

B - Black
P - White
S - Silver

CSK6-(B,P,S) - 6" Stem Kit
CSK12-(B,P,S) - 12" Stem Kit
CSK18-(B,P,S) - 18" Stem Kit
CSK24-(B,P,S) - 24" Stem Kit
CSK30-(B,P,S) - 30" Stem Kit
CSK36-(B,P,S) - 36" Stem Kit
CSK48-(B,P,S) - 48" Stem Kit

