

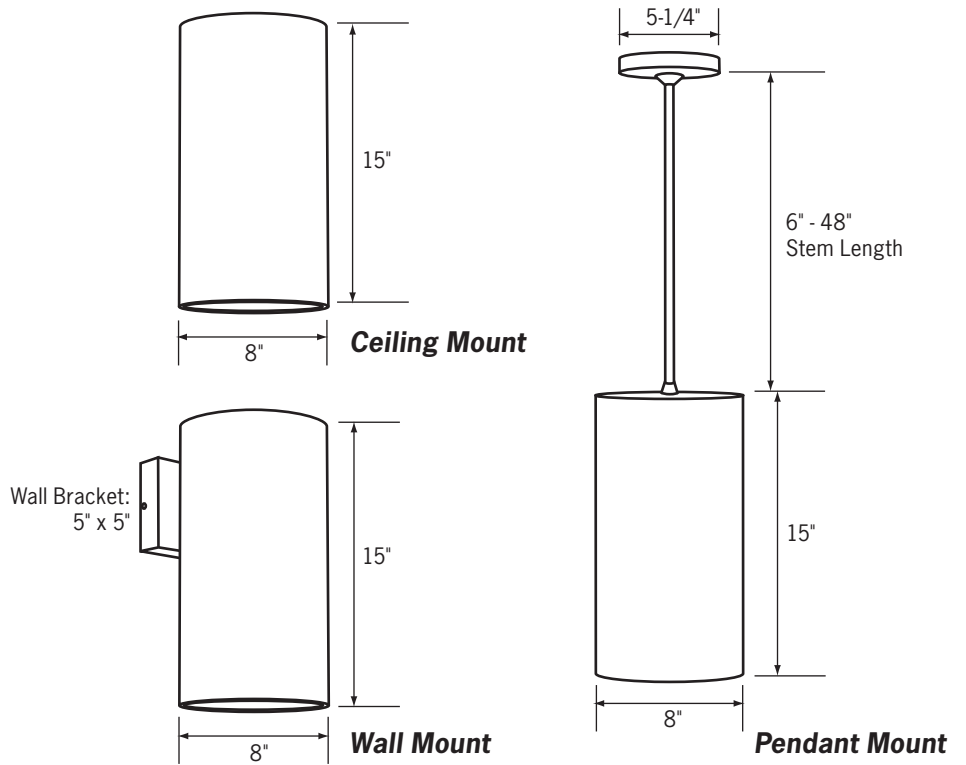
CM8

8" Metal Halide Cylinder

Catalog No. _____

Type _____

Project _____



Specifications/Features

Fixture

8" Diameter extruded aluminum construction for indoor commercial and industrial applications.

Three mounting options available: ceiling mount, pendant mount or wall mount.

Pendant mount fixtures feature a sloped ceiling canopy (select stem kits separately below).

Wall mount bracket provides easy, one handed installation.

Safety chain connects the cylinder to the lid (ceiling mount and pendant mount).

Lamp/Electrical

CM850: (1) 50W CMH ED17, E26 Medium Base

CM870: (1) 70W CMH ED17, PAR30LN or PAR38, E26 Medium Base

CM8100: (1) 100W CMH ED17 or PAR38, E26 Medium Base

CM8150: (1) 150W CMH ED17 or PAR38, E26 Medium Base

Ballast

Input power: 56W; Input current: 120V 0.41A/50W

Input power: 56W; Input current: 277V 0.21A/50W

Input power: 78W; Input current: 120V 0.65A/70W

Input power: 78W; Input current: 277V 0.28A/70W

Input power: 110W; Input current: 120V 0.92A/100W

Input power: 108W; Input current: 277V 0.39A/100W

Input power: 160W; Input current: 120V 1.33A/150W

Input power: 158W; Input current: 277V 0.57A/150W

Mounting

Ceiling mount, pendant mount or wall mount (hardware included for mounting to octagonal or rectangular switch junction box).

Warranty

This fixture is covered by Con-Tech's full one year replacement guarantee after date of purchase.

Ballast is covered by manufacturer's five (5) year warranty.

Labels/Usage

cULus listed. Suitable for damp locations.

Ordering Information

Example Order: -

Fixture	Lamp	Mounting	Baffle/Reflector	Finish	Stem Kit - Pendant Mount Only
<input type="text" value="CM8"/>	<input type="text" value="50 - 50W ED17
70 - 70W ED17,
PAR30LN,
or PAR38
100 - 100W ED17
or PAR38
150 - 150W ED17 or
PAR38"/>	<input type="text" value="C - Ceiling Mount
P - Pendant Mount
W - Wall Mount"/>	<input type="text" value="B - Black Baffle
C - Clear Reflector"/>	<input type="text" value="B - Black
P - White
S - Silver"/>	<input kit<br="" stem="" type="text" value="CSK6-(B,P,S) - 6"/> CSK12-(B,P,S) - 12" Stem Kit CSK18-(B,P,S) - 18" Stem Kit CSK24-(B,P,S) - 24" Stem Kit CSK30-(B,P,S) - 30" Stem Kit CSK36-(B,P,S) - 36" Stem Kit CSK48-(B,P,S) - 48" Stem Kit"/>

