



CTF48

48" Ceiling Fan, Straight Blades

Catalog No. _____

Type _____

Project _____

Specifications/Features

Fixture

Safety Cable Supplied.
 Heavy duty steel down rod for easy installation; 9-1/4" length standard, optional 24" and 36" lengths available.
 Balanced, metal blades give broad coverage.
 Full time capacitor and terminal block concealed within attractive lower canopy.
 Enclosed, double ball bearing motor with 16 poles, permanently lubricated for long life.
 Resilient, hang-straight suspension system.
 Powder coated paint finish.
 Completely pre-wired including heavy-duty grounded cord and plug for quick installation.
 3° Pitch angle.
 (2) Steel-plated J-hooks are supplied to accommodate wood or steel beam mounting. Attractive upper canopy covers mounting.
 Optional bracket mounted hook (40-Kit) available.
 Patented design.

Electrical

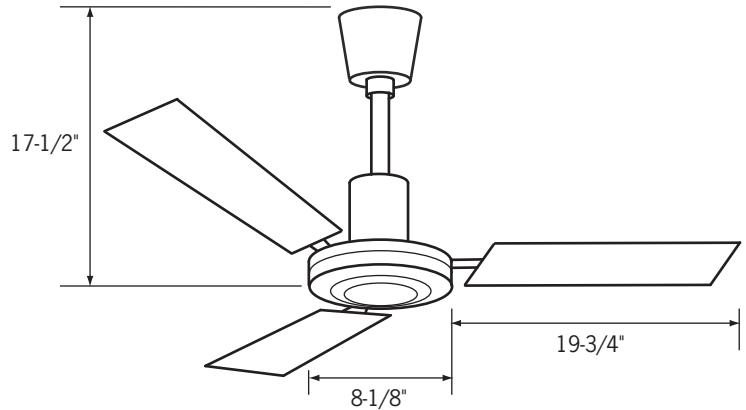
120V .57Amps, 60 Hz, 70W at Max Speed.
 RPM Low: 140, High: 330.
 CFM Full Speed 10' MTG.: 6,000; 20' MTG.: 6,700.

Warranty

This complete fixture is covered by Con-Tech's full one (1) year replacement guarantee after date of purchase.

Listing

cULus listed. Suitable for dry locations.



Ordering Information

Example Order: -

Fixture

CTF48

Finish

B - Brown
W - White

Accessories

- 40-KIT** - Fan Mounting Bracket
- CS36** - 5-Wire Cord Set
- CT912-W** - Slope Ceiling Kit
- CT925** - Fan Support Outlet Box with 40-Kit
- DR24-(B,S,W)** - 24" Down Rod
- DR36-(B,S,W)** - 36" Down Rod
- FC-6** - 5A Solid State Speed Control with Wall Plate
- FC-12** - 12A Solid State Speed Control with Heat Sink Face Plate
- QT-1** - 1.5A Single Fan Quiet Control with Face Plate, RFI Protected
- WG48** - Wire Safety Guard for 48" Fans