



CTF56

56" Industrial Ceiling Fan, Swept Tip Blades

Catalog No. _____

Type _____

Project _____

Specifications/Features

Fixture

Safety Cable Supplied.
 Heavy duty steel down rod for easy installation; 9-1/4" length standard, optional 24" and 36" lengths available.
 Safety Cable Supplied.
 Loose wires for outlet box mounting.
 Enclosed, double ball bearing motor with 16 poles, reversing feature, lubricated for long life.
 Three curved steel blades for maximum air flow, 11° pitch angle.
 Built for rugged use in high bay industrial or commercial areas.
 Full 56" blade sweep keeps heated air down in winter for as much as 44% energy savings. Keeps air in motion during summer for cool comfort.
 Powder coated paint finish.
 Mounting hardware (40-KIT) included for mounting to outlet box.
 (2) Steel-plated J-hooks are supplied to accommodate wood or steel beam mounting. Attractive upper canopy covers mounting.
 Electrically reversible when used with remote double pole double throw switch (supplied by others).
 Patented design.

Electrical

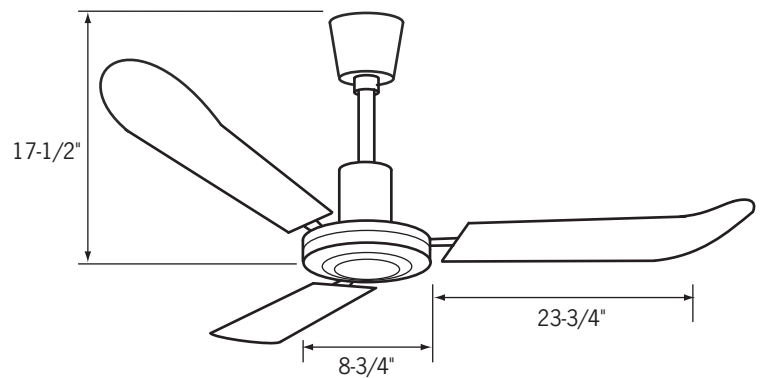
Downblowing rotation mode: 120V, .81A, 60 Hz, 60Watts at Max Speed.
 RPM Low: 110; High: 290.
 CFM Full Speed 10' MTG.: 16,500; 20' MTG.: 22,000.

Warranty

This complete fixture is covered by Con-Tech's full one (1) year replacement guarantee after date of purchase.

Listing

cULus listed. Suitable for dry locations.



Ordering Information

Example Order: -

Fixture

CTF56

Finish

B - Brown
S - Silver
W - White

Accessories

- 40-KIT** - Fan Mounting Bracket
- CS36** - 5-Wire Cord Set
- CT912-W** - Slope Ceiling Kit
- CT925** - Fan Support Outlet Box with 40-Kit
- DR24-(B,S,W)** - 24" Down Rod
- DR36-(B,S,W)** - 36" Down Rod
- FC-6** - 5A Solid State Speed Control with Wall Plate
- FC-12** - 12A Solid State Speed Control with Heat Sink Face Plate
- QT-1** - 1.5A Single Fan Quiet Control with Face Plate, RFI Protected
- WG60** - Wire Safety Guard for 56" Fans