



# CTL1116

LED Compatible  
Flat Back Cylinder Track Fixture

Catalog No. \_\_\_\_\_

Type \_\_\_\_\_

Project \_\_\_\_\_

## Specifications/Features

### Fixture

LED compatible MR16 track fixture.  
Ideal for residential, commercial, and retail lighting applications.  
Die-cast, full cutoff baffle conceals lamp for visual comfort.  
Rugged yoke for balanced fixture adjustment and full 350° rotation.  
Integral ON/OFF switch and track polarity indicator are standard.  
If LED lamp is used, the glass lens must be removed from fixture.

### Lamp

(1) 50W MR16 Lamp or (1) MR16 LED Lamp, GU5.3 Base.  
This fixture can be used with a variety of MR16 LED lamps. However, with the variances in these lamps, Con-Tech Lighting can not be responsible, nor guarantee, that all MR16 LED lamps are universally compatible.

### Electrical

Integral 120/12V 50W Magnetic Class H Transformer.

### Warranty

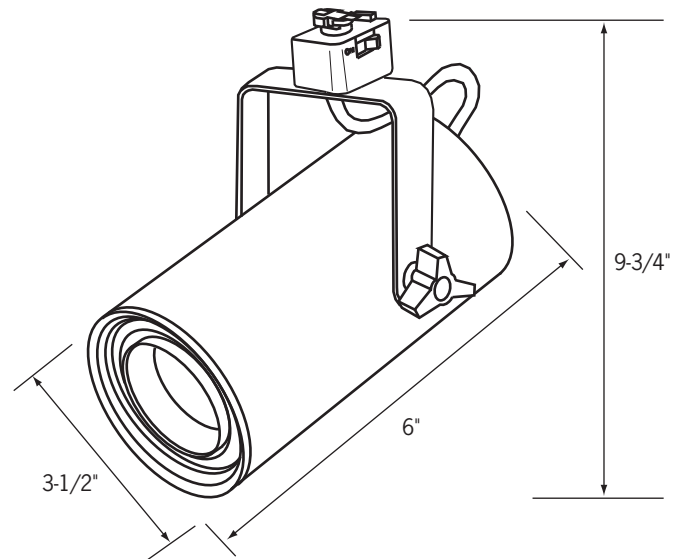
This fixture is covered by Con-Tech's full one (1) year replacement guarantee after date of purchase.

### Listing

cULus listed. Suitable for dry locations.

### Fixture Compatibility

Standard Con-Tech track fixtures are UL Listed as-is for use with Con-Tech's many track systems, as well as with Juno®<sup>1</sup> Lighting track. By changing the prefix in the part number, Con-Tech can install inserts which make our fixtures compatible with other manufacturers. Replace "CTL" with "HTL" for Halo®<sup>2</sup> track, "LTL" for Lightolier®<sup>3</sup> track, and "PTL" for Capri®<sup>4</sup> track. For more information, please consult our factory.



## Ordering Information

Example Order:  -

Track System

**CTL** - Con-Tech  
**HTL** - Halo  
**LTL** - Lightolier  
**PTL** - Capri

Fixture

**1116**

Finish

**B** - Black  
**P** - White

Accessories\*

**LF16** - **A, B, CL, G, LB, R, RO, Y, 73, LS, SL, UV**  
Tempered glass lenses

**FA-16** - Honeycomb Louver

**LA-816** - Black Snoot

*Color/Pattern Legend*

**-A** (Amber), **-B** (Blue), **-CL** (Clear), **-LB** (Light Blue),  
**-R** (Red), **-RO** (Rose), **-Y** (Yellow), **-73** (Spread Lens),  
**-LS** (Linear Spread Lens), **-SL** (Soft Light),  
**-UV** (Optivex UV Filter)

\*Do not use accessories with LED lamp.

1. Juno is a registered trademark of Juno Lighting  
2. Halo is a registered trademark of Cooper Lighting  
3. Lightolier is a registered trademark of Philips Lighting  
4. Capri is a registered trademark of Philips Lighting