



CTL11164L

7W LED Flat Back Cylinder Track Fixture

Catalog No. _____

Type _____

Project _____

Specifications/Features

Fixture

Fixture includes (1) 7W MR16 LED lamp; spot, medium or flood beam distribution. Ideal for residential, commercial, and retail lighting applications. Die-cast, full cutoff baffle conceals lamp for visual comfort. Rugged yoke for balanced fixture adjustment and full 350° rotation. Integral ON/OFF switch and track polarity indicator are standard. Glass Lens must be removed from fixture.

Lamp

(1) 7W 3000K MR16 LED Lamp, GU5.3 Base (Included).

Electrical

Integral 120/12V 50W Magnetic Class H Transformer.

Warranty

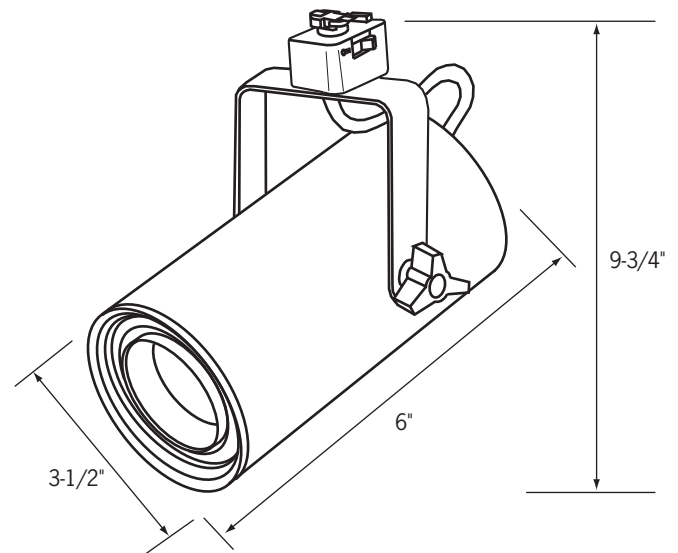
This complete fixture is covered by Con-Tech's full five (5) year replacement guarantee after date of purchase.

Listing

cULus listed. Suitable for dry locations.

Fixture Compatibility

Standard Con-Tech track fixtures are UL Listed as-is for use with Con-Tech's many track systems, as well as with Juno^{®1} Lighting track. By changing the prefix in the part number, Con-Tech can install inserts which make our fixtures compatible with other manufacturers. Replace "CTL" with "HTL" for Halo^{®2} track, "LTL" for Lightolier^{®3} track, and "PTL" for Capri^{®4} track. For more information, please consult our factory.



Ordering Information

Exaple Order: —

Housing	Beam	Color Temp	Finish
<input type="text" value="CTL11164L"/>	<input type="text" value="10 - Spot
25 - Medium
35 - Flood"/>	<input type="text" value="3 - 3000K; White"/>	<input type="text" value="B - Black
P - White"/>

1. Juno is a registered trademark of Juno Lighting
 2. Halo is a registered trademark of Cooper Lighting
 3. Lightolier is a registered trademark of Philips Lighting
 4. Capri is a registered trademark of Philips Lighting



CTL11164L

7W LED Flat Back Cylinder Track Fixture

Catalog No. _____

Type _____

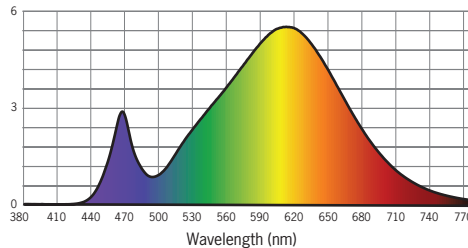
Project _____

Photometrics

CTL11164L103

Light Output (Fixture Lumens): 275
 Total Watts@120V: 6.2
 Lumens Per Watt: 44
 Color Rendering Index (CRI)¹: 80
 Color Temperature (CCT)²: 3000K Warm White

Spectral Power Distribution Chart³



Intensity Distribution

DISTANCE (FT.)	FOOTCANDLES (FC)	BEAM DIAMETER (FT.)
2'	1400	0.3
4'	350	0.7
6'	156	1.0
8'	88	1.4
10'	56	1.7

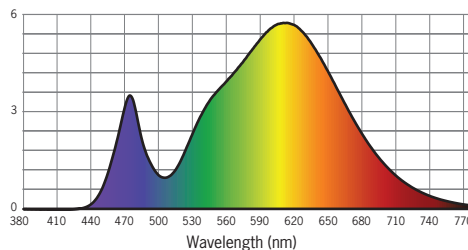
Beam Distribution: 8°

Designed for 50,000 Hour Lamp Life*; LM-79 Test No. 22233

CTL11164L253

Light Output (Fixture Lumens): 310
 Total Watts@120V: 6.7
 Lumens Per Watt: 46
 Color Rendering Index (CRI)¹: 80
 Color Temperature (CCT)²: 3000K Warm White

Spectral Power Distribution Chart³



Intensity Distribution

DISTANCE (FT.)	FOOTCANDLES (FC)	BEAM DIAMETER (FT.)
2'	300	0.9
4'	78	1.8
6'	35	2.7
8'	20	3.5
10'	13	4.4

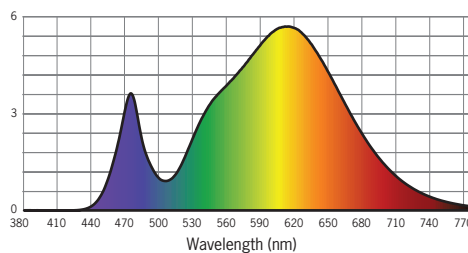
Beam Distribution: 25°

Designed for 50,000 Hour Lamp Life*; LM-79 Test No. 22159

CTL11164L353

Light Output (Fixture Lumens): 300
 Total Watts@120V: 6.7
 Lumens Per Watt: 46
 Color Rendering Index (CRI)¹: 80
 Color Temperature (CCT)²: 3000K Warm White

Spectral Power Distribution Chart³



Intensity Distribution

DISTANCE (FT.)	FOOTCANDLES (FC)	BEAM DIAMETER (FT.)
2'	175	1.3
4'	44	2.5
6'	19	3.8
8'	11	5.0
10'	7	6.3

Beam Distribution: 35°

Designed for 50,000 Hour Lamp Life*; LM-79 Test No. 22157

1. Accuracy of rendering colors
 2. Color appearance of light source
 3. Colors present within the light source

*Dependent on surrounding temperatures