

CTL116

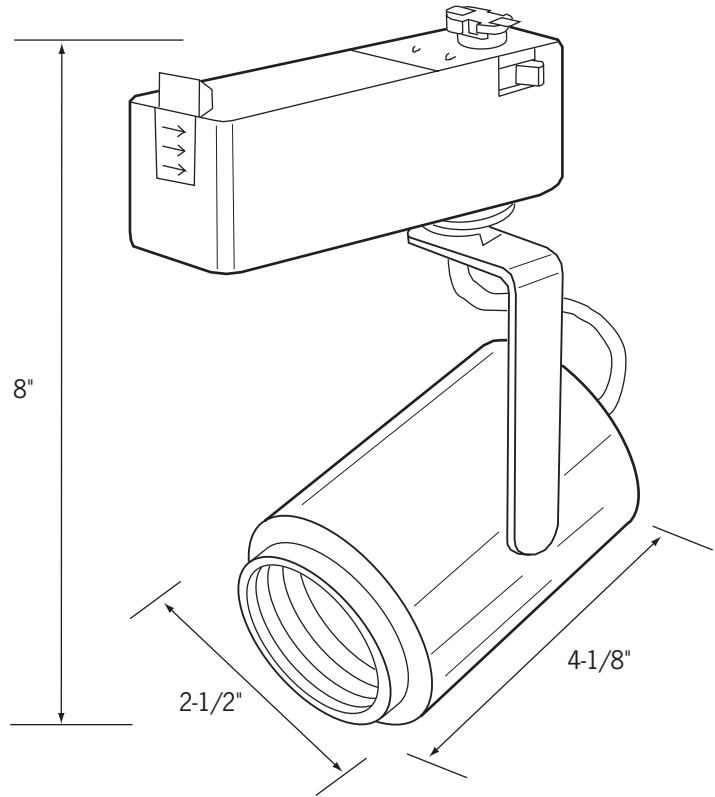
low voltage

Flat Back Cylinder Track Fixture

Catalog No. _____

Type _____

Project _____



Specifications/Features

Fixture

Designed for MR16 halogen lamps and is ideal for residential, commercial, and retail lighting applications.

Die-cast full cutoff baffle conceals lamp for visual comfort.

This fixture features a rugged yoke for balanced fixture adjustment and full 350° rotation.

Must be used with track-mounted transformer LA2050N. For Mono-point use LA1816.

Lamp

(1) 50W MR16 Lamp (max) 12V.

All styles are equipped with a convenient on/off switch and polarity indicator.

May be used with a LVD300E Dimming Control.

Warranty

This fixture is covered by Con-Tech's one (1) year full replacement guarantee after date of purchase.

Listing

cULus listed. Suitable for dry locations.

Ordering Information

Example Order:

-

Fixture

CTL116

Finish

B - Black
P - White

50W Transformer

LA2050N-B - Black
LA2050N-P - White

Accessories

LF16 - A, B, CL, G, LB, R, RO,
Y, 73, LS, SL, UV
Tempered glass lenses

BD16A - Barn Doors

FA-16 - Honeycomb Louver

LA-816 - Baffle

THS-16 - Thermal Heat Shield

Color/Pattern Legend

-A (Amber), -B (Blue), -CL (Clear), -LB (Light Blue), -R (Red),
-RO (Rose), -Y (Yellow), -73 (Spread Lens), -LS (Linear
Spread Lens), -SL (Soft Light), -UV (Optivex UV Filter)



1-800-728-0312

www.con-techlighting.com

All specifications subject to change without notice.