

CTL116T

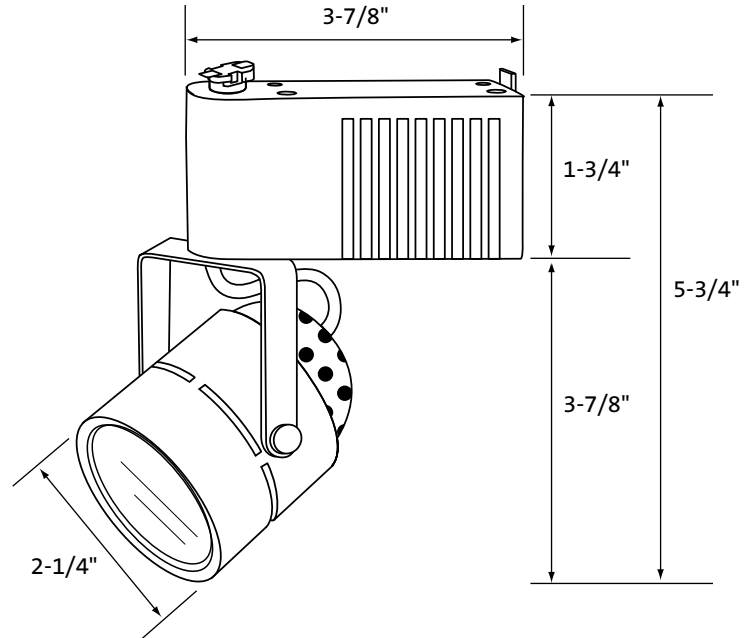


Low Voltage
Track Fixture
with Transformer

Catalog #

Type

Project



Specifications/Features

Fixture

The roundback cylinder design (aluminum housing) with a perforated steel back gives a high-tech look with sparkle. MR16 lamp (12V) and clear tempered safety lens are held in place by a metal spring clip that snaps into the regressed internal slot. Double steel yoke holds the fixture in position with two knobs. 358° aiming.
For use with single circuit track only.

Lamp/Electrical

(1) 50W MR16 lamp (max.), GU5.3 base. Solid state electronic transformer (120V/12V) encased in a polycarbonate transformer housing.

Warranty

This fixture is covered by Con-Tech's one year full replacement guarantee after date of purchase.

Listing

cULus listed. Suitable for dry locations.

Ordering Information

Example Order: -

Fixture

CTL116T

Finish

B - Black
S - Silver
P - White

Accessories

LF16 - A, B, CL, G, LB, R, RO, Y, 73, LS, SL, UV
Tempered glass lenses
FA-16 - Honeycomb Louver
Use with Front Glass MR16 Lamps
THS-16 - Thermal Heat Shield, 2"

Color/Pattern Legend

-A (Amber), -B (Blue), -CL (Clear), -LB (Light Blue), -R (Red),
-RO (Rose), -Y (Yellow), -73 (Spread Lens), -LS (Linear Spread
Lens), -SL (Soft Light), -UV (Optivex UV Filter)



1-800-728-0312

www.con-techlighting.com

All specifications subject to change without notice.