



CTL1216TH

LED Compatible Closed Back Track Fixture

Catalog No. _____

Type _____

Project _____

Specifications/Features

Fixture

LED compatible track fixture.
Simple styling; durable die-cast aluminum construction.
Closed back MR16 bullet design for front lamp replacement.
Adjustable to 180° horizontal rotation; 180° vertical rotation.

Lamp

(1) 50W MR16 Lamp or (1) MR16 LED Lamp, GU5.3 Base.
This fixture can be used with a variety of MR16 LED lamps. However, with the variances in these lamps, Con-Tech Lighting can not be responsible, nor guarantee, that all MR16 LED lamps are universally compatible.

Electrical

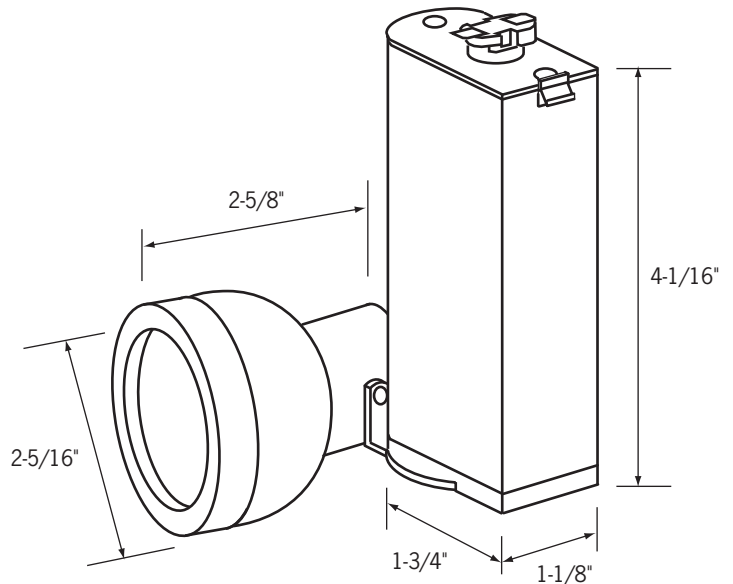
Electronic transformer (120/12V) with range from 0.6W - 60W.

Warranty

This fixture is covered by Con-Tech's full one (1) year replacement guarantee after date of purchase.

Listing

cULus listed. Suitable for dry locations.



Ordering Information

Example Order: -

Fixture

CTL1216TH

Finish

B - Black
P - White
S - Silver

Accessories*

LF16 - **A, B, CL, G, LB, R, RO, Y, 73, LS, SL, UV**
Tempered glass lenses

FA-16 - Honeycomb Louver

LA-816 - Black Snoot

Color/Pattern Legend

-A (Amber), **-B** (Blue), **-CL** (Clear), **-LB** (Light Blue),
-R (Red), **-RO** (Rose), **-Y** (Yellow), **-73** (Spread Lens),
-LS (Linear Spread Lens), **-SL** (Soft Light),
-UV (Optivex UV Filter)

*Do not use accessories with LED lamp.