

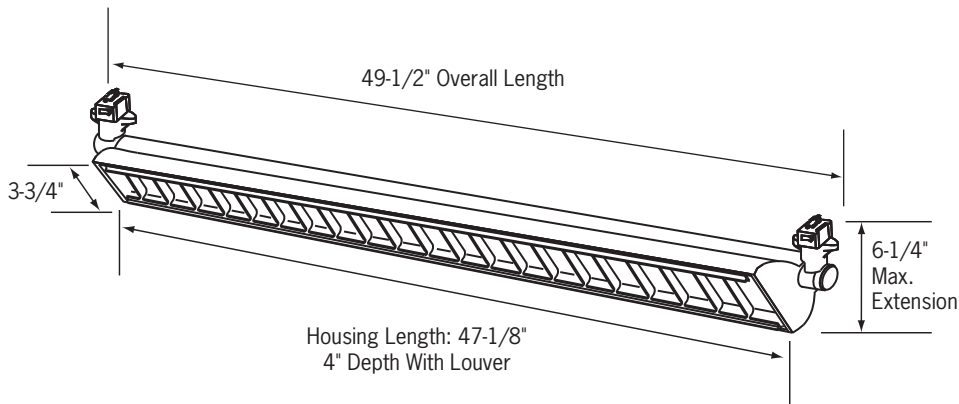
# CTL14154/HO CTL14254/HO

## Fluorescent 54W T5HO Slim Style Wall Lighter

Catalog No. \_\_\_\_\_

Type \_\_\_\_\_

Project \_\_\_\_\_



### Specifications/Features

#### Fixture

Single piece extruded aluminum with welded end caps.  
Side mounted track adapter design for a low profile fixture.  
Semi-specular aluminum reflector provides maximum lamp output.  
Louver may be removed without tools during relamping.  
"Sure Set" aiming adjustment. 180° Vertical rotation.  
Integral ON/OFF switch and track polarity indicator are standard.  
Dimming option available. Consult factory.

#### Lamp

CTL14154/HO: (1) 54W T5 HO Linear Lamp  
Input Power: 62W; Input Current: 0.52A @ 120V  
CTL14254/HO: (2) 54W T5 HO Linear Lamps  
Input Power: 120-117W; Input Current: 1.00A @ 120V

#### Electrical

Electronic fluorescent ballast, 120V operation.  
(1) 54W Input Power: 60W; input current: 0.48A @ 120V.  
(2) 54W Input Power: 109W; input current: 0.91A @ 120V.  
Harmonic distortion: ≤10%.  
End of lamp life automatic shut-off circuit protection.

Sound rating of "A" for indoor applications.

#### Warranty

This fixture is covered by Con-Tech's full one (1) year replacement guarantee after date of purchase.  
Ballast is covered by manufacturer's five (5) year warranty.

#### Listing

cULus listed. Suitable for dry locations.

#### Fixture Compatibility

Standard Con-Tech track fixtures are UL Listed as-is for use with Con-Tech's many track systems, as well as with Juno®<sup>1</sup> Lighting track. By changing the prefix in the part number, Con-Tech can install inserts which make our fixtures compatible with other manufacturers. Replace "CTL" with "HTL" for Halo®<sup>2</sup> track, "LTL" for Lightolier®<sup>3</sup> track, and "PTL" for Capri®<sup>4</sup> track. For more information, please consult our factory.

### Ordering Information

Example Order:  -

Fixture

**CTL14154/HO** - 1 x 54W T5HO  
**CTL14254/HO** - 2 x 54W T5HO

Finish

**B** - Black  
**P** - White  
**S** - Silver

Accessories

**LA-144-(B,P,S)** - External Accessory Holder  
**LA-14254-LENS** - Internal Snap-On Lens Cover  
For CTL14254/HO model only



1. Juno is a registered trademark of Juno Lighting  
2. Halo is a registered trademark of Cooper Lighting  
3. Lightolier is a registered trademark of Philips Lighting  
4. Capri is a registered trademark of Philips Lighting

**PHOTOMETRICS - CTL14154/HO (1 x 54W T5HO)**

Footcandles on Wall

**Track 3 Feet From Wall, 10' Mounting Height, Tilted 45 Degrees**

Distance From Ceiling		Single Unit						Multiple Units									
		0'	1'	2'	3'	4'	5'	4' On Center			5' On Center			6' On Center			
		▼						▼		▼	▼		▼	▼		▼	
1'		134	97	47	20	9	3	153	97	153	142	61	142	138	40	138	
2'		73	58	34	18	9	4	93	73	93	83	52	83	78	37	78	
3'		32	28	20	12	7	4	48	45	48	41	34	41	37	26	37	
4'		25	22	16	11	7	4	41	39	41	34	30	34	30	24	30	
5'		19	17	13	9	6	4	34	33	34	28	25	28	25	20	25	
6'		13	12	10	8	5	4	27	27	27	22	21	22	19	17	19	
7'		9	9	8	6	5	3	21	21	21	17	17	17	15	14	15	
8'		7	6	6	5	4	3	17	17	17	14	14	14	12	11	12	
9'		5	5	4	4	3	2	14	14	14	11	11	11	9	9	9	
		▼ is the beam center															

**Track 4 Feet From Wall, 10' Mounting Height, Tilted 45 Degrees**

Distance From Ceiling		Single Unit						Multiple Units									
		0'	1'	2'	3'	4'	5'	4' On Center			5' On Center			6' On Center			
		▼						▼		▼	▼		▼	▼		▼	
1'		76	63	40	20	11	6	99	86	99	88	59	88	82	41	82	
2'		60	50	34	20	11	6	85	76	85	73	56	73	67	41	67	
3'		33	29	22	15	9	6	55	52	55	46	40	46	40	31	40	
4'		18	17	13	10	7	5	35	35	35	29	27	29	25	22	25	
5'		15	14	11	9	7	5	31	31	31	25	24	25	22	20	22	
6'		12	11	10	8	6	4	28	27	28	22	22	22	19	18	19	
7'		10	9	8	6	5	4	24	23	24	19	19	19	16	15	16	
8'		8	7	6	5	4	3	20	20	20	16	16	16	14	13	14	
9'		6	6	5	4	4	3	17	17	17	14	14	14	11	11	11	
		▼ is the beam center															

**PHOTOMETRICS - CTL14254/HO (2 x 54W T5HO)**

Footcandles on Wall

**Track 3 Feet From Wall, 10' Mounting Height, Tilted 45 Degrees**

Distance From Ceiling		Single Unit						Multiple Units									
		0'	1'	2'	3'	4'	5'	4' On Center			5' On Center			6' On Center			
		▼						▼		▼	▼		▼	▼		▼	
1'		175	130	65	29	12	5	201	137	201	186	90	186	181	59	181	
2'		124	98	58	29	14	7	154	123	154	138	86	138	131	60	131	
3'		67	57	39	23	13	7	95	87	95	82	64	82	75	48	75	
4'		45	40	29	19	12	7	73	69	73	61	52	61	54	41	54	
5'		30	27	21	15	10	6	54	52	54	44	41	44	39	32	39	
6'		20	18	15	11	8	6	40	40	40	33	31	33	28	25	28	
7'		13	12	11	9	6	5	30	30	30	25	24	25	21	20	21	
8'		9	9	8	6	5	4	24	24	24	19	19	19	16	16	16	
9'		7	6	6	5	4	3	19	19	19	15	15	15		13	12	
		▼ is the beam center															

**Track 4 Feet From Wall, 10' Mounting Height, Tilted 45 Degrees**

Distance From Ceiling		Single Unit						Multiple Units									
		0'	1'	2'	3'	4'	5'	4' On Center			5' On Center			6' On Center			
		▼						▼		▼	▼		▼	▼		▼	
1'		97	81	52	29	15	8	131	114	131	114	82	114	106	59	106	
2'		88	75	51	31	17	9	126	114	126	108	84	108	99	63	99	
3'		60	53	39	26	16	9	97	92	97	81	70	81	72	54	72	
4'		38	34	27	19	13	8	69	67	69	56	52	56	49	42	49	
5'		28	26	21	16	11	8	57	56	57	46	44	46	40	36	40	
6'		21	19	16	13	10	7	46	46	46	37	36	37	32	30	32	
7'		15	14	12	10	8	6	37	37	37	30	29	30	25	24	25	
8'		11	11	9	8	6	5	30	30	30	24	24	24	20	20	20	
9'		8	8	7	6	5	4	24	24	24	20	19	20	16	16	16	
		▼ is the beam center															

\* See front side for lamp Lumen and life ratings. All footcandle levels based on 35°C lamp Lumen outputs.

