

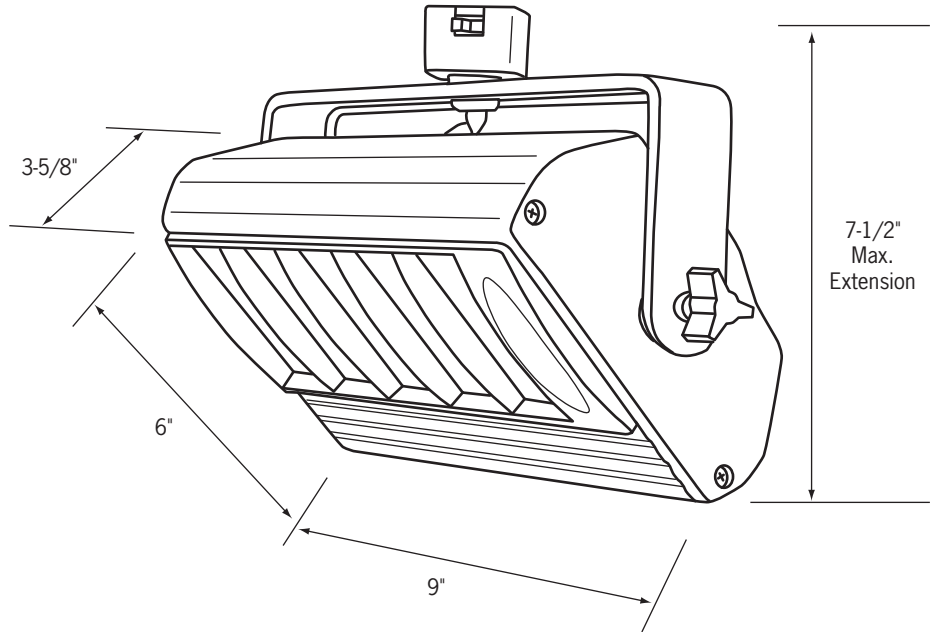
CTL15042N

Single TTT Fluorescent Wall Lighter

Catalog No. _____

Type _____

Project _____



Specifications/Features

Fixture

Single piece extruded aluminum with welded end caps. Parabolic, injection molded, chrome specular louver for optimum efficiency and lamp shielding (1/8" extension is standard). Louver may be removed without tools during relamping. Lockable, precision aiming adjustment. 360°+ Horizontal rotation, 180° vertical rotation. Integral ON/OFF switch and track polarity indicator are standard. No dimming option available.

Lamp

- (1) 26W TTT 4-PIN CFL Lamp, GX24q-3 base.
- (1) 32W TTT 4-PIN CFL Lamp, GX24q-3 base.
- (1) 42W TTT 4-PIN CFL Lamp, GX24q-4 base.

Electrical

Electronic fluorescent ballast, 120V operation.
 26W Input Power: 29W; input current: 0.24A @ 120V.
 32W Input Power: 36W; input current: 0.31A @ 120V.
 42W Input Power: 46W; input current: 0.38A @ 120V.

Harmonic distortion: ≤10%.
 End of lamp life automatic shut-off circuit protection.
 Sound rating of "A" for indoor applications.

Warranty

This fixture is covered by Con-Tech's full one (1) year replacement guarantee after date of purchase. Ballast is covered by manufacturer's five (5) year warranty.

Listing

cULus listed. Suitable for dry locations.

Fixture Compatibility

Standard Con-Tech track fixtures are UL Listed as-is for use with Con-Tech's many track systems, as well as with Juno^{®1} Lighting track. By changing the prefix in the part number, Con-Tech can install inserts which make our fixtures compatible with other manufacturers. Replace "CTL" with "HTL" for Halo^{®2} track, "LTL" for Lightolier^{®3} track, and "PTL" for Capri^{®4} track. For more information, please consult our factory.

Ordering Information

Example Order: -

Fixture

CTL15042N

Finish

B - Black
P - White
S - Silver

Accessories

15042 LENS-(B,P,S) - Lens/Louver Assembly,
 1/2" Extension



1. Juno is a registered trademark of Juno Lighting
 2. Halo is a registered trademark of Cooper Lighting
 3. Lightolier is a registered trademark of Philips Lighting
 4. Capri is a registered trademark of Philips Lighting