

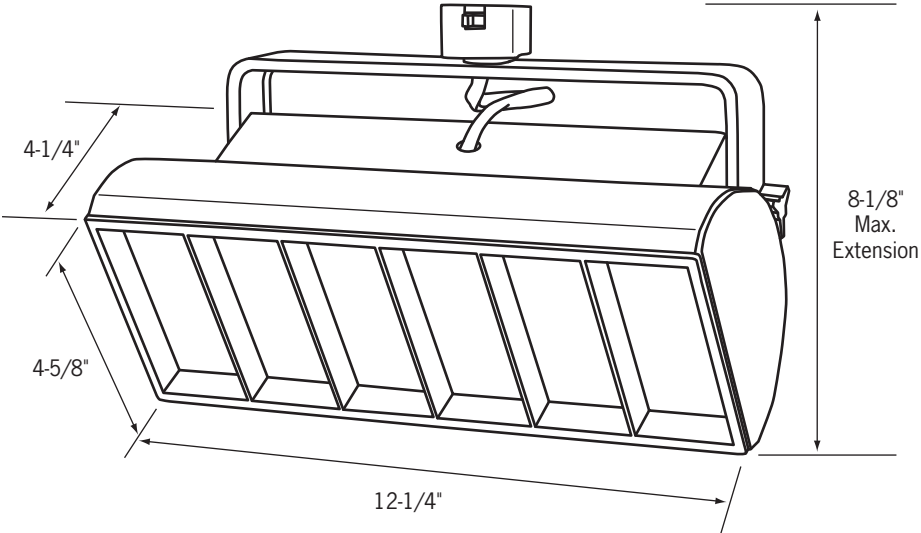
CTL1518

Dual 18W T5 Fluorescent Wall Lighter

Catalog No. _____

Type _____

Project _____



Specifications/Features

Fixture

Single piece extruded aluminum with welded end caps. Parabolic, injection molded, chrome specular louver for optimum efficiency and lamp shielding (1/8" extension is standard). Louver may be removed without tools during relamping. Lockable, precision aiming adjustment. 360°+ Horizontal rotation, 180° vertical rotation. Integral ON/OFF switch and track polarity indicator are standard. No dimming option available.

Lamp

(2) 18W T5 Lamps, 2G11 base.

Electrical

Electronic fluorescent ballast, 120V operation.
 (2) 18W Input Power: 47W; input current: .41A @ 120V.
 Harmonic distortion: ≤15%.
 End of lamp life automatic shut-off circuit protection.
 Sound rating of "A" for indoor applications.

Warranty

This fixture is covered by Con-Tech's full one (1) year replacement guarantee after date of purchase. Ballast is covered by manufacturer's five (5) year warranty.

Listing

cULus listed. Suitable for dry locations.

Fixture Compatibility

Standard Con-Tech track fixtures are UL Listed as-is for use with Con-Tech's many track systems, as well as with Juno®¹ Lighting track. By changing the prefix in the part number, Con-Tech can install inserts which make our fixtures compatible with other manufacturers. Replace "CTL" with "HTL" for Halo®² track, "LTL" for Lightolier®³ track, and "PTL" for Capri®⁴ track. For more information, please consult our factory.

Ordering Information

Example Order: -

Fixture

CTL1518

Finish

- B** - Black
- P** - White
- S** - Silver

Accessories

- 1518 LENS** - Lens/Louver Assembly, 1/2" Extension
- 1518 LOUVER-C/N** - Chrome Louver



1. Juno is a registered trademark of Juno Lighting
 2. Halo is a registered trademark of Cooper Lighting
 3. Lightolier is a registered trademark of Philips Lighting
 4. Capri is a registered trademark of Philips Lighting