

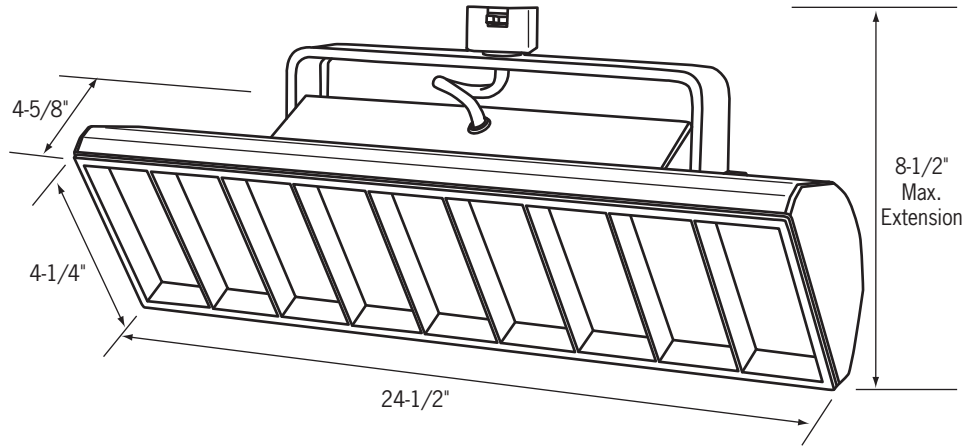
CTL1524/HO

Dual 24W T5HO Linear Fluorescent Wall Lighter

Catalog No. _____

Type _____

Project _____



Specifications/Features

Fixture

Single piece extruded aluminum with welded end caps. Parabolic, injection molded, chrome specular louver for optimum efficiency and lamp shielding (1/8" extension is standard). Louver may be removed without tools during relamping. Lockable, precision aiming adjustment. 360°+ Horizontal rotation, 180° vertical rotation. Integral ON/OFF switch and track polarity indicator are standard. No dimming option available.

Lamp

(2) 24W T5HO Linear Lamps, Mini Bi-PIN base.

Electrical

Electronic fluorescent ballast, 120V operation. (2) 24W Input Power: 49.3W; input current: 0.42A @ 120V. Harmonic distortion: ≤15%. End of lamp life automatic shut-off circuit protection. Sound rating of "A" for indoor applications.

Warranty

This fixture is covered by Con-Tech's full one (1) year replacement guarantee after date of purchase. Ballast is covered by manufacturer's five (5) year warranty.

Listing

cULus listed. Suitable for dry locations.

Fixture Compatibility

Standard Con-Tech track fixtures are UL Listed as-is for use with Con-Tech's many track systems, as well as with Juno®¹ Lighting track. By changing the prefix in the part number, Con-Tech can install inserts which make our fixtures compatible with other manufacturers. Replace "CTL" with "HTL" for Halo®² track, "LTL" for Lightolier®³ track, and "PTL" for Capri®⁴ track. For more information, please consult our factory.

Ordering Information

Example Order: -

<p>Fixture</p> <input type="text"/> <p>CTL1524/HO</p>	<p>-</p>	<p>Finish</p> <input type="text"/> <p>B - Black P - White S - Silver</p>	<p>Accessories</p> <input type="text"/> <p>1518 LENS - Lens/Louver Assembly, 1/2" Extension; Two (2) Required 1540 LOUVER-C/N - Chrome Louver 1540 LOUVER-P - White Louver</p>
--	----------	---	---



1. Juno is a registered trademark of Juno Lighting
2. Halo is a registered trademark of Cooper Lighting
3. Lightolier is a registered trademark of Philips Lighting
4. Capri is a registered trademark of Philips Lighting