

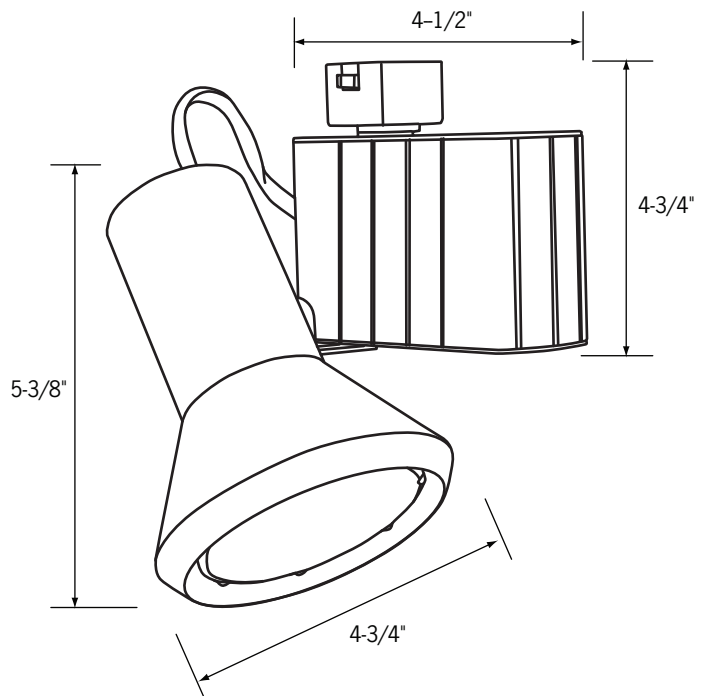
# CTL1610S

**PAR30LN Cone Reflector  
Ceramic Metal Halide  
Track Fixture**

Catalog No. \_\_\_\_\_

Type \_\_\_\_\_

Project \_\_\_\_\_



## Specifications/Features

### Fixture

Single arm, low profile side mount universal lampholder with PAR30LN reflector cone.  
Die cast aluminum housing.  
360°+ Horizontal rotation, 75° vertical rotation.  
Integral ON/OFF switch and track polarity indicator are standard.  
Will accept (1) LF30 lens or Egg Crate Louver (LA-38) by using FA-37A black accessory clips.

### Lamp

CTL1610S/20MH: (1) 20W PAR30LN CMH, E26 Medium Base.  
CTL1610S/39MH: (1) 39W PAR30LN CMH, E26 Medium Base.  
CTL1610S/70MH: (1) 70W PAR30LN CMH, E26 Medium Base.

### Electrical

Electronic Ceramic Metal Halide ballast, 120V operation.  
20W Input power: 23W; input current: 0.20A @ 120V.  
39W Input power: 45W; input current: 0.38A @ 120V.  
70W Input power: 79W; input current: 0.67A @ 120V.

Harmonic distortion: <20%;  
Thermally and transient protected; sound rated "A" for indoor applications.

### Warranty

This fixture is covered by Con-Tech's full one (1) year replacement guarantee after date of purchase.  
Ballast is covered by manufacturer's five (5) year warranty.

### Listing

cULus listed. Suitable for dry locations.

### Fixture Compatibility

Standard Con-Tech track fixtures are UL Listed as-is for use with Con-Tech's many track systems, as well as with Juno®<sup>1</sup> Lighting track. By changing the prefix in the part number, Con-Tech can install inserts which make our fixtures compatible with other manufacturers. Replace "CTL" with "HTL" for Halo®<sup>2</sup> track, "LTL" for Lightolier®<sup>3</sup> track, and "PTL" for Capri®<sup>4</sup> track. For more information, please consult our factory.

## Ordering Information

Example Order:

CTL1610S/20MH

P

FA-37A

LF30-UV

Fixture

Lamp Wattage

Finish

Accessory Clips

Accessories






CTL1610S/

**20MH** - 20W CMH  
**39MH** - 39W CMH  
**70MH** - 70W CMH

**B** - Black  
**P** - White  
**S** - Silver

**FA-37A** - Black  
Accessory  
Clips,  
Set of (3)

**LF30 - A, B, CL, DPE, G, LB, R, RO, Y,  
73, LS, SL, UV**  
4-3/4" Dia. tempered glass lenses

**LA-38** - Egg-Crate Louver

#### Color/Pattern Legend

**-A** (Amber), **-B** (Blue), **-CL** (Clear), **-DPE** (Dichroic Peach), **-G** (Green), **-LB** (Light Blue), **-R** (Red), **-RO** (Rose), **-Y** (Yellow), **-73** (Spread Lens), **-LS** (Linear Spread Lens), **-SL** (Soft Light), **-UV** (Optivex UV Filter)



1-847-559-5500

www.con-techlighting.com

All specifications subject to change without notice.

1. Juno is a registered trademark of Juno Lighting  
2. Halo is a registered trademark of Cooper Lighting  
3. Lightolier is a registered trademark of Philips Lighting  
4. Capri is a registered trademark of Philips Lighting