

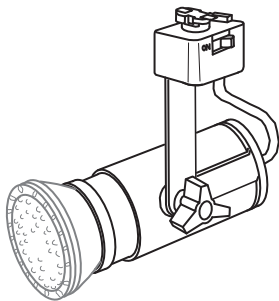
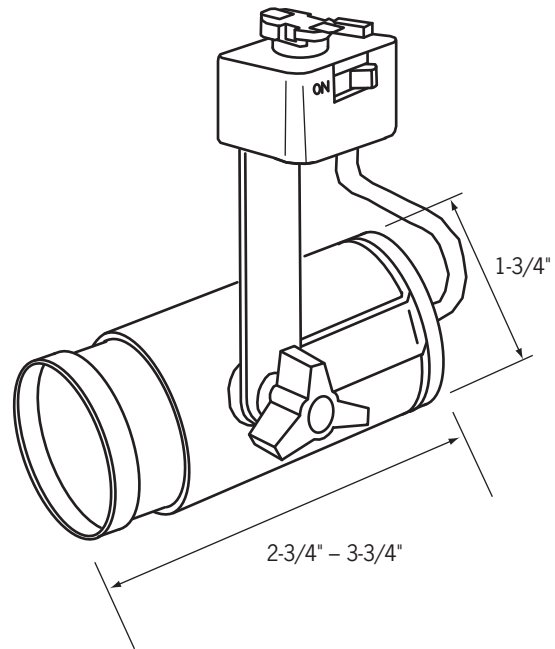
CTL1638

**Universal Lampholder
Adjustable Side Swivel
Line Voltage Track Fixture**

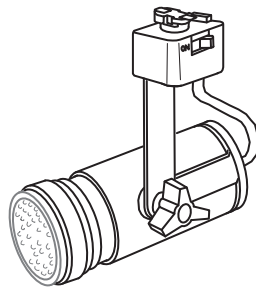
Catalog No. _____

Type _____

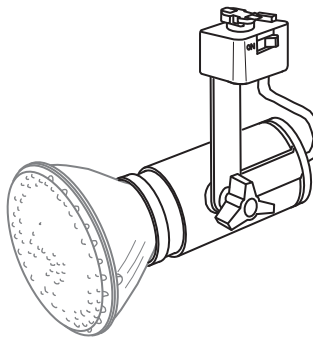
Project _____



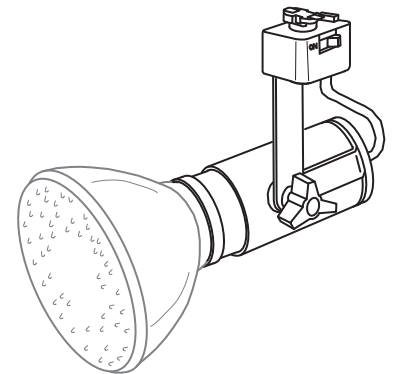
CTL1638 Shown with
PAR20 Lamp



CTL1638 Shown with
PAR16 Lamp



CTL1638 Shown with
Short Neck PAR30 Lamp



CTL1638 Shown
with PAR38 Lamp

Specifications/Features

Fixture

Adjustable housing collar permits a perfect fit between the fixture and any size PAR lamp, including short- and long-neck PAR30 lamps. Three arm knob is easily tightened and accurately holds aiming position.

Offset bracket design mounts fixture close to track.

May be track mounted or used in mono-point applications with the LA-18 mono-point accessory.

Precise, rigid aiming and full 350° rotation.

Integral ON/OFF switch and track polarity indicator are standard.

Max. Lamp

(1) 50W PAR20, 75W PAR16, 75W PAR30 or 250W PAR38; 120V, E26 medium base.

Warranty

This fixture is covered by Con-Tech's full one (1) year replacement guarantee after date of purchase.

Listing

cULus listed. Suitable for dry locations.

Ordering Information

Example Order: —

Fixture

CTL1638

Finish

B - Black
P - White

