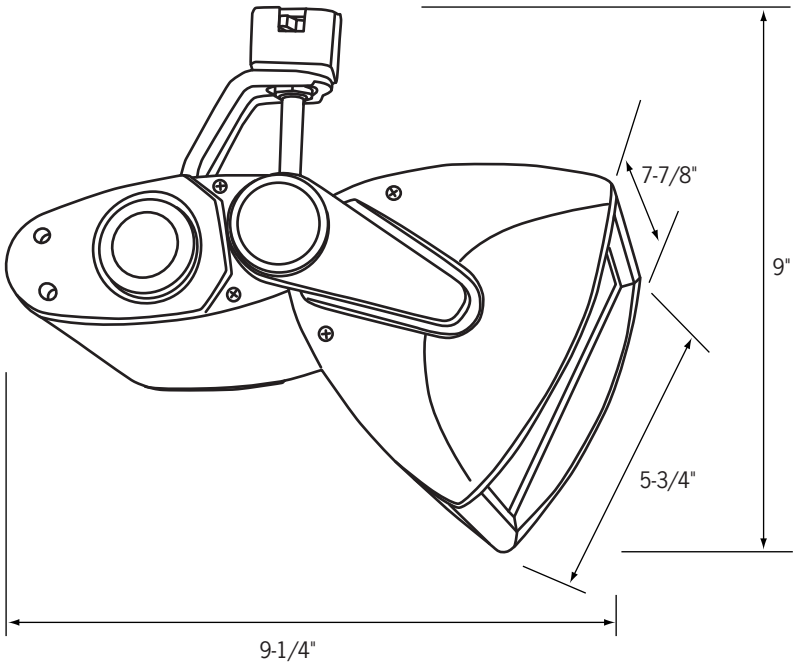


**CTL5017WW  
CTL7017WW  
CTL10017WW**  
**STEALTH**  
ED17 Ceramic Metal Halide  
Wall Lighter

Catalog No. \_\_\_\_\_

Type \_\_\_\_\_

Project \_\_\_\_\_



**Specifications/Features**

**Fixture**  
Wall wash optical spread.  
Prismatic tempered safety glass provides 42% UV filtering.  
Die cast aluminum housing.  
360°+ Horizontal rotation, 30° - 90° vertical rotation.  
Integral ON/OFF switch and track polarity indicator are standard.  
Will accept (1) LF-100 lens internally.

**Lamp**  
CTL5017WW: (1) 50W ED17 CMH, E26 Medium Base.  
CTL7017WW: (1) 70W ED17 CMH, E26 Medium Base.  
CTL10017WW: (1) 100W ED17 CMH, E26 Medium Base.

**Electrical**  
5KV pulse rated sockets, RTS, RSC or RX7s base.  
Electronic Ceramic Metal Halide ballast, 120V operation.  
50W Input power: 58W; input current: 0.49A @ 120V.  
70W Input power: 70W; input current: 0.67A @ 120V.  
100W Input power: 100W; input current: 0.94A @ 120V.

Harmonic distortion: <15%  
Thermally and transient protected, sound rated "A" for indoor applications.

**Warranty**  
This fixture is covered by Con-Tech's full one (1) year replacement guarantee after date of purchase.  
Ballast is covered by manufacturer's five (5) year warranty.

**Listing**  
cULus listed. Suitable for dry locations.

**Fixture Compatibility**  
Standard Con-Tech track fixtures are UL Listed as-is for use with Con-Tech's many track systems, as well as with Juno®<sup>1</sup> Lighting track. By changing the prefix in the part number, Con-Tech can install inserts which make our fixtures compatible with other manufacturers. Replace "CTL" with "HTL" for Halo®<sup>2</sup> track, "LTL" for Lightolier®<sup>3</sup> track, and "PTL" for Capri®<sup>4</sup> track. For more information, please consult our factory.

**Ordering Information**

Example Order:  -

Fixture	Finish	Accessories
<input style="width: 150px; height: 30px;" type="text"/>	<input style="width: 100px; height: 30px;" type="text"/>	<input style="width: 200px; height: 30px;" type="text"/>
<b>CTL5017WW</b> - 50W CMH <b>CTL7017WW</b> - 70W CMH <b>CTL10017WW</b> - 100W CMH	<b>B</b> - Black <b>P</b> - White <b>S</b> - Silver	<b>LF-100 - DPE, 73, LS, SL, SOL, UV</b> Tempered glass lenses

*Color/Pattern Legend*  
**-DPE** (Dichroic Peach), **-73** (Spread Lens), **-LS** (Linear Spread Lens), **-SL** (Soft Light), **-SOL** (Solite), **-UV** (Optivex UV Filter)

1. Juno is a registered trademark of Juno Lighting  
 2. Halo is a registered trademark of Cooper Lighting  
 3. Lightolier is a registered trademark of Philips Lighting  
 4. Capri is a registered trademark of Philips Lighting



**CTL5017WW  
CTL7017WW  
CTL10017WW**

**STEALTH**

**ED17 Ceramic Metal Halide  
Wall Lighter**

Catalog No. \_\_\_\_\_

Type \_\_\_\_\_

Project \_\_\_\_\_

**Photometrics - Stealth Wall Wash**

**Footcandles on Wall**

**Track 3 Feet From Wall, 10' Mounting Height, Tilted 40 Degrees**

Distance From Ceiling		Single Unit					Multiple Units										
		0'	1'	2'	3'	4'	5'	4' On Center		5' On Center		6' On Center					
		▼						▼	▼	▼	▼	▼	▼				
1'		138	107	59	28	13	6	162	123	162	148	84	147	141	57	141	
2'		119	94	58	30	15	8	152	123	151	135	87	134	127	62	127	
3'		80	67	44	26	15	8	113	98	112	98	73	97	90	55	89	
4'		50	43	31	21	13	8	78	72	77	66	56	66	59	44	59	
5'		30	27	21	15	11	7	55	52	53	46	42	45	40	34	40	
6'		19	18	14	11	8	6	40	38	38	33	31	32	28	25	28	
7'		13	12	10	8	7	5	29	28	28	24	23	23	21	20	20	
8'		9	8	7	6	5	4	22	22	21	19	18	18	16	15	15	
9'		6	6	5	5	4	3	17	17	16	14	14	14	12	12	12	
		▼ is the beam center															

**Track 4 Feet From Wall, 10' Mounting Height, Tilted 40 Degrees**

Distance From Ceiling		Single Unit					Multiple Units										
		0'	1'	2'	3'	4'	5'	4' On Center		5' On Center		6' On Center					
		▼						▼	▼	▼	▼	▼	▼				
1'		72	63	44	26	14	8	104	96	102	89	72	88	81	54	81	
2'		76	66	47	29	17	10	114	105	112	97	80	97	88	60	88	
3'		61	54	40	27	17	10	99	93	97	84	72	83	75	56	74	
4'		45	41	31	22	15	10	80	75	78	67	59	66	59	48	58	
5'		31	29	23	17	12	9	61	59	59	51	47	50	44	39	44	
6'		22	20	17	13	10	7	47	46	45	39	37	38	34	31	33	
7'		15	14	12	10	8	6	36	35	34	30	29	29	26	24	25	
8'		11	10	9	8	6	5	28	27	26	24	23	22	20	19	20	
9'		8	8	7	6	5	4	22	22	21	19	18	18	16	15	15	
		▼ is the beam center															

\* For 50W data, multiply results by .68, for 100W data, multiply results by 1.47

**Fixture Efficiency:** 66.2%

**Lamp Information:**

70W Clear ED-17, Ceramic Metal Halide  
Measured Lumens: 6200  
Report Number: ITL55782  
Prismatic Glass Lens

\*All multiple layouts are based on five fixtures aimed at 40 degrees from nadir.

