



CTL5038LEM

Drama Series
11W PAR38 Pure Light Track Fixture

Catalog No. _____

Type _____

Project _____

Specifications/Features

Fixture

Stepped back design creates a minimal size impression.
Integral ON/OFF switch and track polarity indicator are standard.

Lamp

Energy efficient, 11W PAR38 LED lamp powered with CREE TrueWhite™ Technology.

A better way to generate white light that uses a patented mixture of unsaturated yellow and saturated red LEDs.

Designed to last 50,000 hours.

Color management system maintains color consistency over time and temperature.

Color Rendering Index of 93.

Correlated Color Temperature of 2700°K.

Lumen output = 604 (56 Lumens per Watt).

19° Beam spread with Center Beam Candle Power (CBCP) of 4,500.

R9 Red color value of 93.

Durable die-cast aluminum housing with tempered glass lens to protect the LEDs and reflector.

Electrical

10.8W, 120V (+/- 10V) E26 base.

Warranty

This complete fixture is covered by Con-Tech's full five (5) year replacement guarantee after date of purchase.

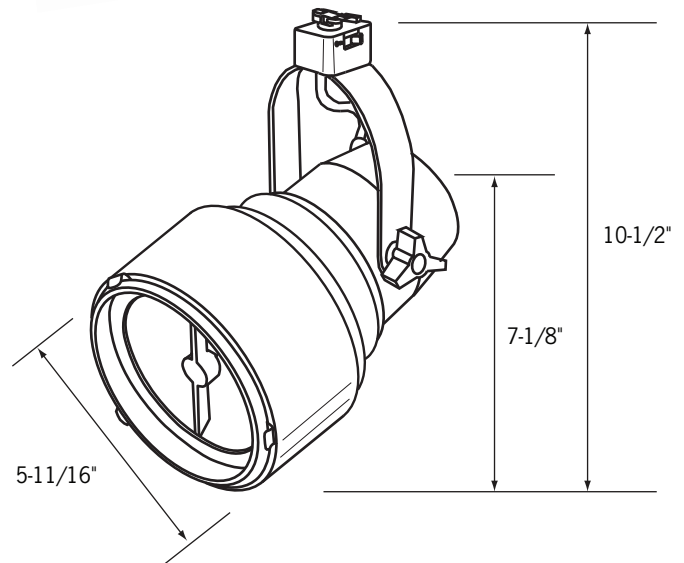
Listing

cULus listed. Suitable for dry locations.

RoHS compliant, contains no lead or mercury.

Fixture Compatibility

Standard Con-Tech track fixtures are UL Listed as-is for use with Con-Tech's many track systems, as well as with Juno®¹ Lighting track. By changing the prefix in the part number, Con-Tech can install inserts which make our fixtures compatible with other manufacturers. Replace "CTL" with "HTL" for Halo®² track, "LTL" for Lightolier®³ track, and "PTL" for Capri®⁴ track. For more information, please consult our factory.



Ordering Information

Example Order: –

Track System	Fixture	Finish
<input type="text"/>	<input type="text"/>	<input type="text"/>

CTL - Con-Tech
HTL - Halo
LTL - Lightolier
PTL - Capri

5038LEM

B - Black
P - White
S - Silver

1. Juno is a registered trademark of Juno Lighting
2. Halo is a registered trademark of Cooper Lighting
3. Lightolier is a registered trademark of Philips Lighting
4. Capri is a registered trademark of Philips Lighting



CTL5038LEM

Drama Series
11W PAR38 Pure Light Track Fixture

Catalog No. _____

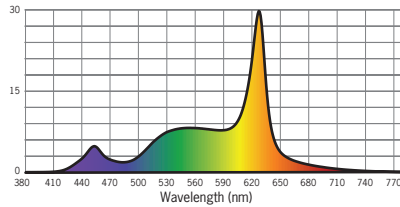
Type _____

Project _____

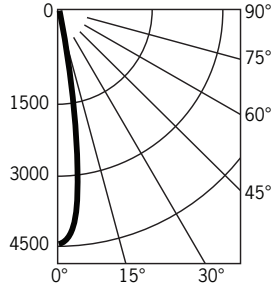
Photometrics

Light Output (Lumens): 604
Total Watts@120V: 10.8
Lumens Per Watt: 56
Color Rendering Index (CRI)¹: 93
Color Temperature (CCT)²: 2700K Warm White

Spectral Power Distribution Chart³



Candela Curve



Candlepower Summary

FROM 0	CANDELA	LUMENS
0	4485	
5	3829	305
15	680	220
25	87	52
35	24	8
45	8	5
55	5	6
65	5	7
75	0	1
85	0	0
95	0	

Intensity Distribution

DISTANCE (FT.)	FOOTCANDLES (FC)	BEAM DIAMETER (FT.)
6'	124.6	1.9
8'	70.1	2.6
10'	44.8	3.2
12'	31.1	3.9
14'	22.9	4.5
16'	17.5	5.2

Beam Distribution: 19°

Designed for 50,000 Hour Lamp Life*; LM-79 Test No. 68413

1. Accuracy of rendering colors
 2. Color appearance of light source
 3. Colors present within the light source

*Dependent on surrounding temperatures