



CTL71164L

7W LED Track Fixture with Magnetic Transformer

Catalog No. _____

Type _____

Project _____

Specifications/Features

Housing

Fixture includes (1) 7W MR16 LED lamp; spot, medium or flood beam distribution. Magnetic transformer is integrated into the fixture design for a clean look. Sculptured indentations around the housing provide a unique look and heat dissipation system.

High quality die-cast aluminum housing.

Baffled front is held in place by spring tension and slides off easily for lamp access.

Rugged steel "Sure Set" yoke design for precise aiming without tools and full 350° rotation.

Integral ON/OFF switch and track polarity indicator are standard.

Glass Lens must be removed from fixture.

Lamp

(1) 7W 3000K MR16 LED Lamp, GU5.3 Base (Included).

Electrical

Integral 120/12V 50W Magnetic Class H Transformer.

Warranty

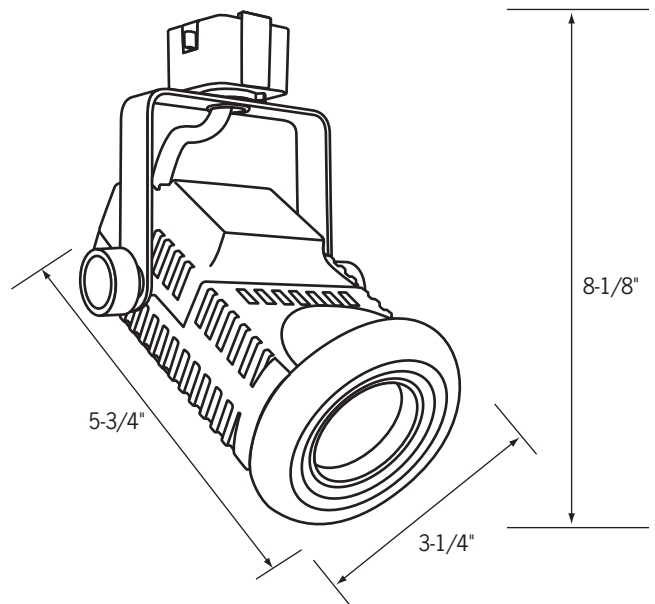
This complete fixture is covered by Con-Tech's full five (5) year replacement guarantee after date of purchase.

Listing

cULus listed. Suitable for dry locations.

Fixture Compatibility

Standard Con-Tech track fixtures are UL Listed as-is for use with Con-Tech's many track systems, as well as with Juno^{®1} Lighting track. By changing the prefix in the part number, Con-Tech can install inserts which make our fixtures compatible with other manufacturers. Replace "CTL" with "HTL" for Halo^{®2} track, "LTL" for Lightolier^{®3} track, and "PTL" for Capri^{®4} track. For more information, please consult our factory.



Ordering Information

Example Order: —

| Housing | Beam | Color Temp | Finish |
|--|---|---|---|
| <input type="text" value="CTL71164L"/> | <input type="text" value="10 - Spot 25 - Medium 35 - Flood"/> | <input type="text" value="3 - 3000K; White"/> | <input type="text" value="B - Black P - White S - Silver"/> |

1. Juno is a registered trademark of Juno Lighting
 2. Halo is a registered trademark of Cooper Lighting
 3. Lightolier is a registered trademark of Philips Lighting
 4. Capri is a registered trademark of Philips Lighting



CTL71164L

7W LED Track Fixture with Magnetic Transformer

Catalog No. _____

Type _____

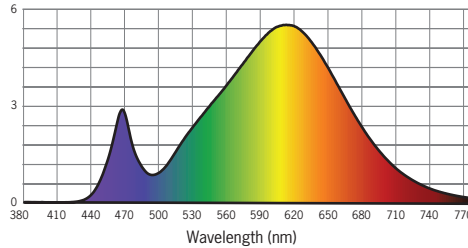
Project _____

Photometrics

CTL71164L103

Light Output (Fixture Lumens): 275
 Total Watts@120V: 6.2
 Lumens Per Watt: 44
 Color Rendering Index (CRI)¹: 80
 Color Temperature (CCT)²: 3000K Warm White

Spectral Power Distribution Chart³



Intensity Distribution

| DISTANCE (FT.) | FOOTCANDLES (FC) | BEAM DIAMETER (FT.) |
|----------------|------------------|---------------------|
| 2' | 1400 | 0.3 |
| 4' | 350 | 0.7 |
| 6' | 156 | 1.0 |
| 8' | 88 | 1.4 |
| 10' | 56 | 1.7 |

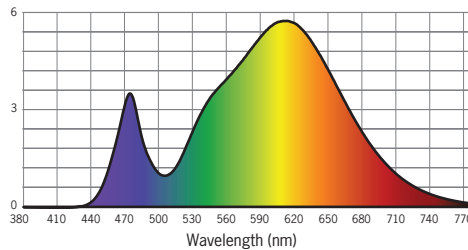
Beam Distribution: 8°

Designed for 50,000 Hour Lamp Life*; LM-79 Test No. 22233

CTL71164L253

Light Output (Fixture Lumens): 310
 Total Watts@120V: 6.7
 Lumens Per Watt: 46
 Color Rendering Index (CRI)¹: 80
 Color Temperature (CCT)²: 3000K Warm White

Spectral Power Distribution Chart³



Intensity Distribution

| DISTANCE (FT.) | FOOTCANDLES (FC) | BEAM DIAMETER (FT.) |
|----------------|------------------|---------------------|
| 2' | 300 | 0.9 |
| 4' | 78 | 1.8 |
| 6' | 35 | 2.7 |
| 8' | 20 | 3.5 |
| 10' | 13 | 4.4 |

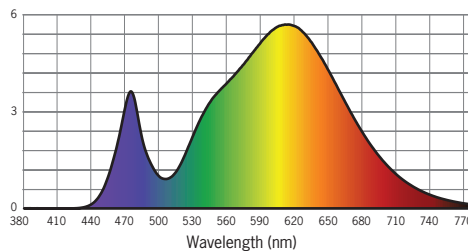
Beam Distribution: 25°

Designed for 50,000 Hour Lamp Life*; LM-79 Test No. 22159

CTL71164L353

Light Output (Fixture Lumens): 300
 Total Watts@120V: 6.7
 Lumens Per Watt: 46
 Color Rendering Index (CRI)¹: 80
 Color Temperature (CCT)²: 3000K Warm White

Spectral Power Distribution Chart³



Intensity Distribution

| DISTANCE (FT.) | FOOTCANDLES (FC) | BEAM DIAMETER (FT.) |
|----------------|------------------|---------------------|
| 2' | 175 | 1.3 |
| 4' | 44 | 2.5 |
| 6' | 19 | 3.8 |
| 8' | 11 | 5.0 |
| 10' | 7 | 6.3 |

Beam Distribution: 35°

Designed for 50,000 Hour Lamp Life*; LM-79 Test No. 22157

1. Accuracy of rendering colors
 2. Color appearance of light source
 3. Colors present within the light source

*Dependent on surrounding temperatures