

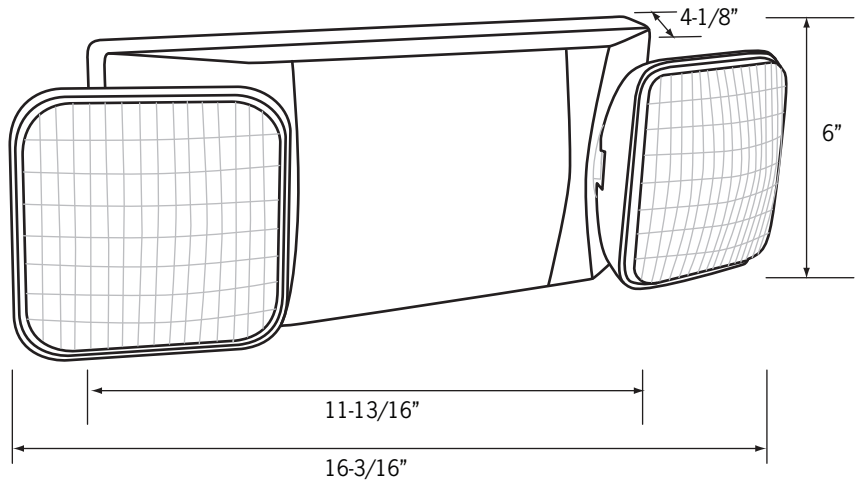
EL2HA5W

Dual Adjustable Emergency Light

Catalog No. _____

Type _____

Project _____



Specifications/Features

Housing

Injection-molded thermoplastic housing.
UL 94V-0 flame rating.
Innovative snap-together design allows for fast and easy installation.
Two fully adjustable glare-free square shape light heads for emergency light.

Mounting

Wall or ceiling mounting.
Easily removeable mounting knock-outs and J-box pattern on back panel.

Lamps

(2) 6V 5W DC T5 wedge base lamps for emergency mode.
Replacement lamp: #939 miniature lamp, emergency lighting, 6V, .90A, T5 bulb, wedge base, C-2R filament design.

Electrical

120/277 VAC dual voltage operation.
Test switch and charge rate indicator.
Lead-Cadmium battery (6V 4.5Ah) delivers more than 90 minutes capacity to emergency lamps.
24-hours to recharge after 90 minute discharge.
Low voltage battery disconnection prevents deep discharge damage to the battery.

Warranty

This fixture is covered by Con-Tech's one year full replacement guarantee after installation.

Listing

ULus listed.

Ordering Information

Example Order: -

Fixture

EL2HA5W - Standard Emergency Light

Finish

B - Black Housing
P - White Housing

