



# EXELSF EXELDF

## LED Edge-Lite Exit Sign with Battery Backup

Catalog No. \_\_\_\_\_

Type \_\_\_\_\_

Project \_\_\_\_\_

### Specifications/Features

#### Housing

Rigid aluminum housing.  
Etched, clear acrylic edge lit panel.  
Removeable directional indicators.  
Letters are 6" high with a 3/4" stroke.  
Single or double face configuration.

#### Mounting

Universal (wall, side or ceiling) mounting.

#### Electrical

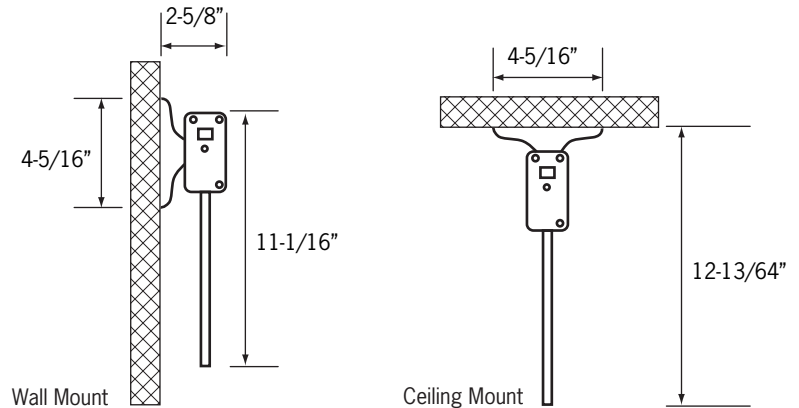
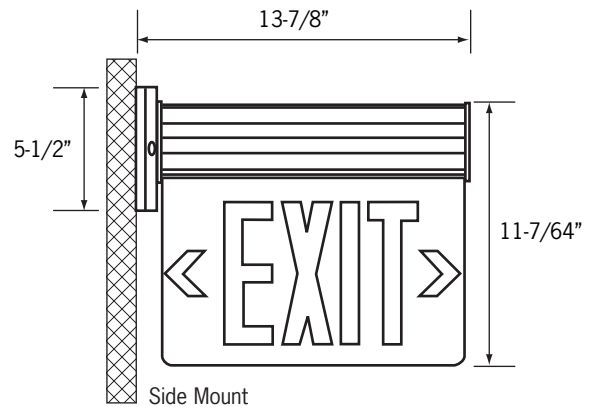
120/277 VAC dual voltage operation.  
Low energy consumption: 3W @ 120V.  
LED indicator light and test switch.  
LED lamps operate in normal (AC input) and emergency (DC input) modes.  
Nickel-Cadmium battery (4.8V 650 mA) delivers more than 3 hours capacity to emergency lamps.  
24-hour recharge after 90 minute discharge.  
Low voltage battery disconnection prevents deep discharge damage to the battery.  
Expected LED life of up to 10 years.

#### Warranty

This complete fixture is covered by Con-Tech's full five (5) year replacement guarantee after date of purchase.

#### Listing

ULus listed.  
Meets UL924 and NFPA101.



### Ordering Information

Example Order:  -

Fixture

Finish

**EXELSFRLDEM** - Red LED Edge-Lite Exit Sign, Single Face  
**EXELSFGLEDEM** - Green LED Edge-Lite Exit Sign, Single Face  
**EXELDFRLEDEM** - Red LED Edge-Lite Exit Sign, Double Face  
**EXELDFGLEDEM** - Green LED Edge-Lite Exit Sign, Double Face

**P** - White Housing  
**U** - UnLook Housing\*

\*Unlook Housing has black canopy and black end caps.