

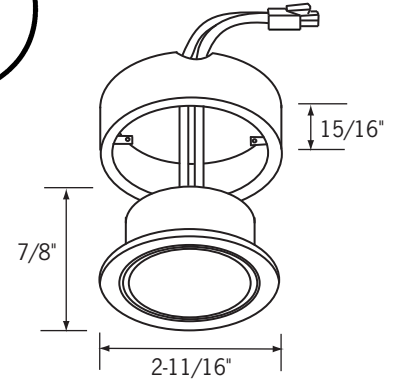
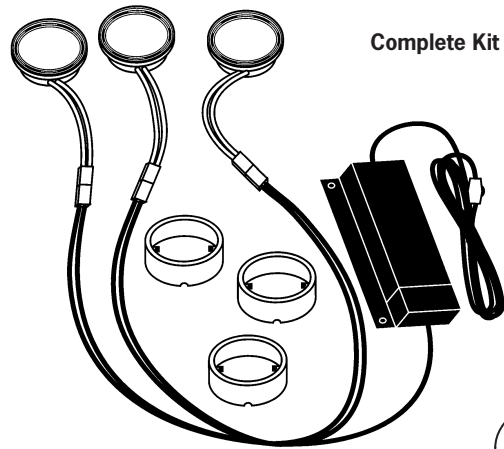
# KLV2-6

## Underglo® Mini-Downlight Kit

Catalog No. \_\_\_\_\_

Type \_\_\_\_\_

Project \_\_\_\_\_



**KLV2-6 Kit**  
LV2-6 Housing and Surface Mounting Ring  
**Assembled Height:** 1"  
**Recessed Hole Opening:** 2-1/4"

### Specifications/Features

#### Kit

Complete kit features: (3) fixtures, (3) surface mounting rings, and (1) transformer.

Each kit has a pre-wired transformer with an 8' switched power cord and a 6' 12V output cord with (3) convenient Amp plug-in receptacles placed at 2' intervals.

Surface mounting rings, with matching finish, are provided for added mounting options. If recessed installation option is used, these may be discarded.

Compact design kits are light weight and fit many applications. Recommended for applications where high heat is a concern.

Fully dimmable with standard incandescent dimming control.

#### Lamp

(1) 20W (max) Bi-Pin JC Halogen lamp (included) or (1) 10W (max) Bi-Pin JC Halogen lamp (max). (Order separately as model 10T3).

#### Warranty

This fixture is covered by Con-Tech's one (1) year full replacement guarantee after date of purchase.

#### Listing

cULus listed. Suitable for dry locations.

### Ordering Information

Example Order:  -

Kit

**KLV2-6**

Finish

**B** - Black Finish  
**C** - Chrome Finish  
**P** - White Finish

Accessories

**LWX-4** - 4' extension cable with plug-in amp connectors  
**LWX-8** - 8' extension cable with plug-in amp connectors  
**LWX-12** - 12' extension cable with plug-in amp connectors  
**10T3** - 10WT3 JC replacement lamp  
**20T3** - 20WT3 JC replacement lamp

