

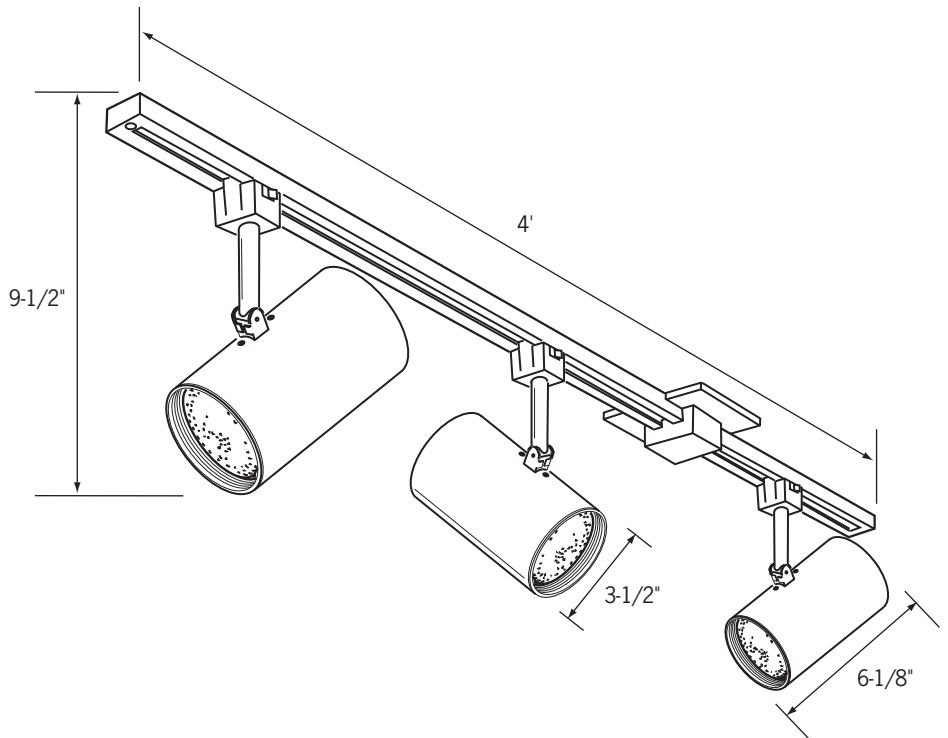
# LTK3120

## PAR20 Builder's Track Kit Line Voltage Track Fixture

Catalog No. \_\_\_\_\_

Type \_\_\_\_\_

Project \_\_\_\_\_



### Specifications/Features

#### Fixture

The Builder's track light package provides a very economical three light fixture kit. Kit includes: (3) CTL120-P Fixtures (white finish), (1) LT-4-P (4-foot track section) and (1) LA-7-P (floating feed kit).

The Flat back cylinder style fixtures are ideal for commercial or residential applications.

Stem mounting conceals wires while providing 350° rotation with full vertical adjustment.

A black phenolic baffle assures full cutoff.

These models may be used with LA-2 or LA-12 connectors, and additional track sections.

Each fixture will accept (1) LF20 lens, LA-37 Egg Crate Louver or BD20 Barn Doors by using the FA-20 accessory holder.

#### Lamp

(3) 50W PAR20 (max) or (3) 75W R20 (max); 120V, E26 medium base.

#### Warranty

This fixture is covered by Con-Tech's full one (1) year replacement guarantee after date of purchase.

#### Listing

cULus listed. Suitable for dry locations.

### Ordering Information

Example Order:  -

Fixture

LTK3120

Finish

P - White

Accessory Holder

FA-20-(B,P,S)

Accessories

**BD20** - Black Barn Doors  
**LA-37-(B,P,S)** - Egg Crate Louver  
**LF20 - (A, B, CL, G, LB, R, RO, Y, 73, LS, SL, UV)**  
 3-3/4" Tempered glass lenses

Color/Pattern Legend

**-A** (Amber), **-B** (Blue), **-CL** (Clear), **-G** (Green),  
**-LB** (Light Blue), **-R** (Red), **-RO** (Rose), **-Y** (Yellow),  
**-73** (Spread Lens), **-LS** (Linear Spread Lens),  
**-SL** (Soft Light), **-UV** (Optivex UV Filter)

