

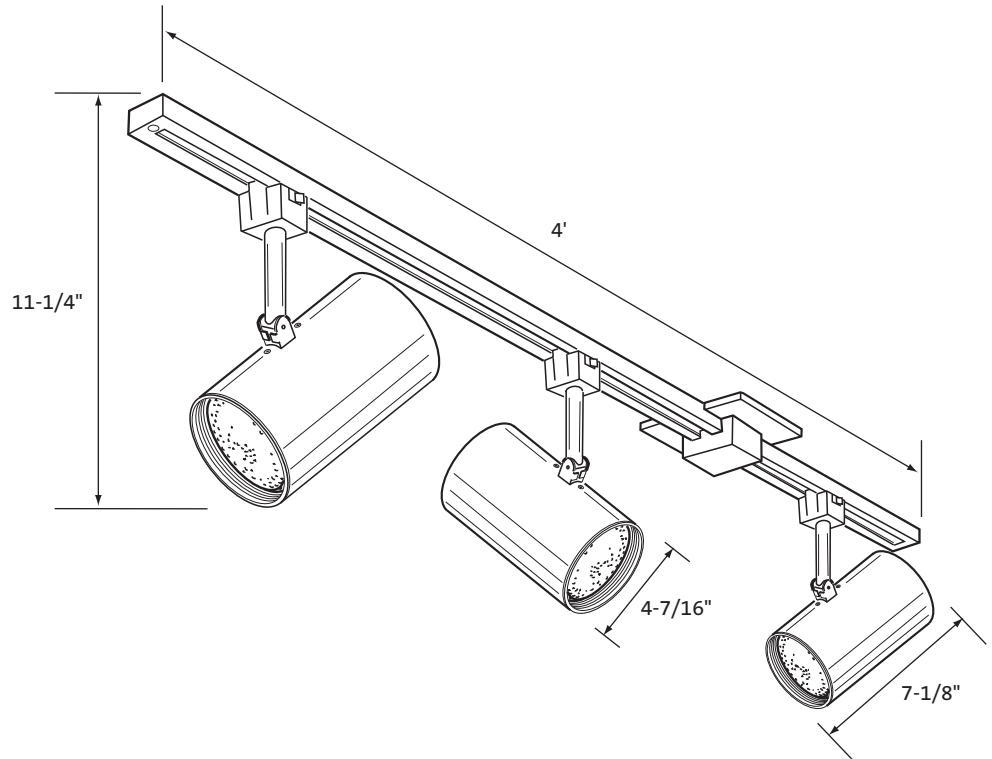
LTK3130

Track Kit
with PAR30 Flat Back
Cylinder Fixtures

Catalog #

Type

Project



Specifications/Features

Fixture

The Builder's track light package provides a very economical three light fixture kit complete with track, fixtures, and floating electrical outlet feed.

The Flat back cylinder style fixtures are ideal for commercial or residential applications.

Stem mounting conceals wires while providing 350° rotation with full vertical adjustment.

A black phenolic baffle assures full cutoff.

These models may be used with LA-2 or LA-12 connectors and additional track sections.

Kit includes: (3) CTL130-P Fixtures (white finish), (1) LT-4-P (4-foot track section) and (1) LA-7-P (floating feed kit).

Lamp/Electrical

(4) 65W BR30 (max), (4) 75W PAR30 (max) or (4) 100W A19 (max).

All fixtures are equipped with a convenient on/off switch and polarity indicator.

Warranty

This fixture is covered by Con-Tech's one (1) year full replacement guarantee after date of purchase.

Listing

cULus listed. Suitable for dry locations.

Ordering Information

Example Order

LTK3130

-

P

FA30-P

LF30-A

Fixture



LTK3130

Finish



P - White

Accessory Holder



FA30-(B, P S)

Accessories



LF30 - A, B, CL, G, LB, R, RO, Y, 73, LS, SL, UV

4-11/16" Dia. tempered glass lenses

Color/Pattern Legend

-A (Amber), -B (Blue), -CL (Clear), -G (Green),
-LB (Light Blue), -R (Red), -RO (Rose), -Y (Yellow),
-73 (Spread Lens), -LS (Linear Spread Lens),
-SL (Soft Light), -UV (Optivex UV Filter)



1-800-728-0312

www.con-techlighting.com

All specifications subject to change without notice.