

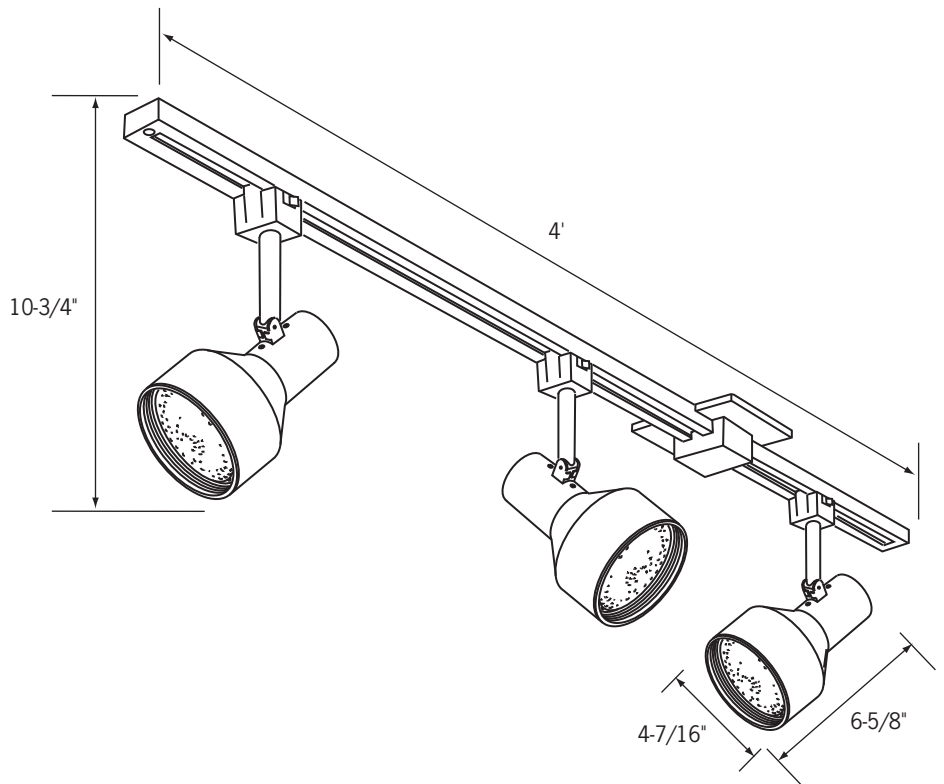
LTK3330

PAR30LN Builder's Track Kit Line Voltage Track Fixture

Catalog No. _____

Type _____

Project _____



Specifications/Features

Fixture

The Builder's track light package provides a very economical three light fixture kit. Kit includes: (3) CTL330-P Fixtures (white finish), (1) LT-4-P (4-foot track section) and (1) LA-7-P (floating feed kit).

The Flat back cylinder style fixtures are ideal for commercial or residential applications.

Stem mounting conceals wires while providing 350° rotation with full vertical adjustment.

A black phenolic baffle assures full cutoff.

These models may be used with LA-2 or LA-12 connectors, and additional track sections.

Integral ON/OFF switch and track polarity indicator on each fixture are standard.

Each fixture will accept (1) LF30 lens, LA-38 Egg Crate Louver or BD30 Barn Doors by using the FA-30 accessory holder.

Lamp

(3) 65W BR30 (max), (3) 75W PAR30LN (max) or (3) 100W A19 (max). ; 120V, E26 medium base.

Warranty

This fixture is covered by Con-Tech's full one (1) year replacement guarantee after date of purchase.

Listing

cULus listed. Suitable for dry locations.

Ordering Information

Example Order: -

Fixture

LTK3330

Finish

P - White

Accessory Holder

FA-30-(B,P,S)

Accessories

BD30 - Black Barn Doors
LA-38-(B,P,S) - Egg Crate Louver
LF30 - (A, B, CL, G, LB, R, RO, Y, 73, LS, SL, UV)
4-11/16" Tempered glass lenses

Color/Pattern Legend

-A (Amber), -B (Blue), -CL (Clear), -G (Green),
-LB (Light Blue), -R (Red), -RO (Rose), -Y (Yellow),
-73 (Spread Lens), -LS (Linear Spread Lens),
-SL (Soft Light), -UV (Optivex UV Filter)

