

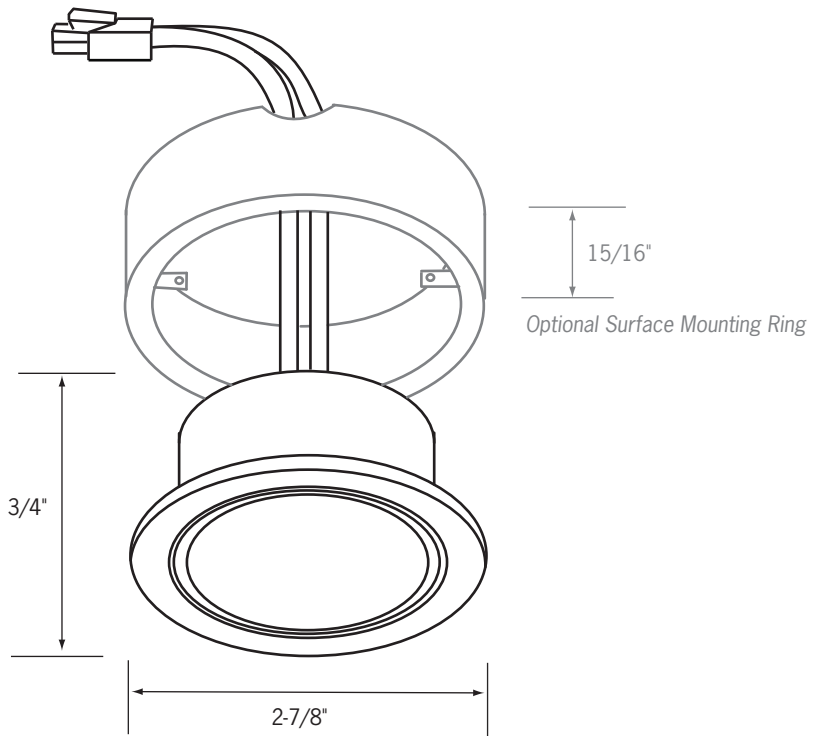
# LV2-6

## Non-Magnetic Metal Flush Mount Undercabinet Light

Catalog No. \_\_\_\_\_

Type \_\_\_\_\_

Project \_\_\_\_\_



Opening: 2-1/4"

### Specifications/Features

#### Fixture

Superior color and efficiency of halogen lighting.  
 Metal housing with smooth finish.  
 Shatter resistant frosted glass lens.  
 Exceptional placement versatility, either recessed or surface-mounted with optional surface mounting ring.  
 6" lead with plug-in amp connector.  
 Fully dimmable with standard incandescent dimming control.  
 For use with remote 120V/12V transformers (electronic or magnetic).

#### Lamp

(1) 20W (max) Bi-Pin JC Halogen lamp (included) or  
 (1) 10W (max) Bi-Pin JC Halogen lamp (max). (Order separately as model 10T3).

#### Warranty

This fixture is covered by Con-Tech's full one (1) year replacement guarantee after date of purchase.

#### Listing

cULus listed. Suitable for dry locations.

### Ordering Information

Example Order:

Fixture

LV2-6

Finish

**B** - Black  
**C** - Chrome  
**P** - White

Accessories

- 6S-(B, C, P)** - Optional Surface Mounting Ring (**B** - Black, **C** - Chrome, **P** - White)
- LWX-4** - 4' Extension Cable With Plug-In Amp Connectors
- LWX-8** - 8' Extension Cable With Plug-In Amp Connectors
- LWX-12** - 12' Extension Cable With Plug-In Amp Connectors
- LWXS-4** - 4' Extension With Transformer Side (Only) Amp Connectors
- LWXS-8** - 8' Extension With Transformer Side (Only) Amp Connectors
- LWXS-12** - 12' Extension With Transformer Side (Only) Amp Connectors
- LWXT-4** - 4' Extension-LV2 for LRT-181 or LRT-363
- LWXT-8** - 8' Extension-LV2 for LRT-181 or LRT-363
- LWXT-12** - 12' Extension-LV2 for LRT-181 or LRT-363
- 10T3** - 10WT3 JC Replacement Lamp
- 20T3** - 20WT3 JC Replacement Lamp
- LRT-60-K** - 60W Branch Circuit Remote Transformer
- LRT-181** - 180W Branch Circuit Remote Transformer

