

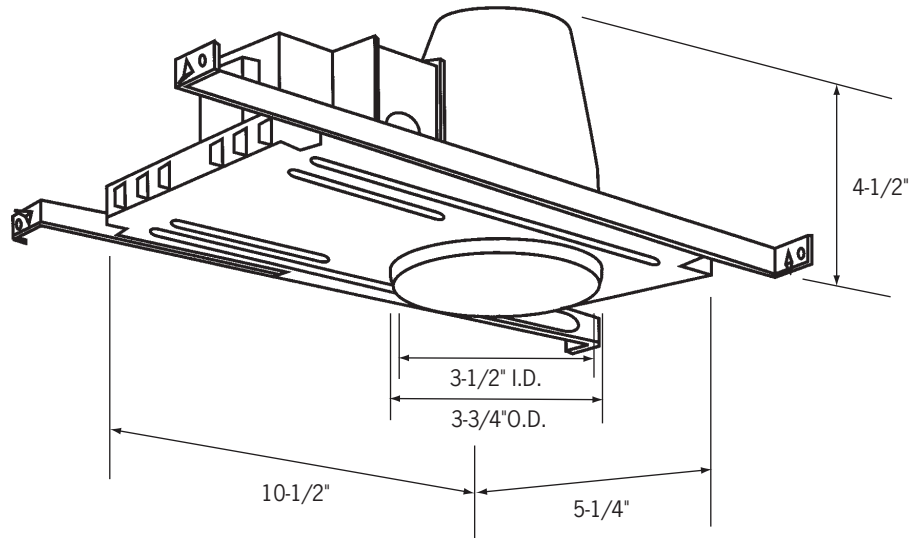
LVR316

Low Voltage Downlight for New Construction

Catalog No. _____

Type _____

Project _____



Ceiling Opening: 3-7/8"
Max. Ceiling Thickness: 1"

Specifications/Features

Housing

Solid housing design stands up to tough installation challenges. Versatile mounting features provide fast installation. For solid or suspended ceilings. Lamp housing is removable through ceiling aperture for access to junction box. J-box has (3) 1/2" knockouts with spring latch access plates. "Sure-grip" springs permit housing to be lowered and adjust to ceiling thickness. Reversible dual extension hanger bars span 15" - 25-1/4" with integral holding spikes for easy mounting to wood joists. Hanger bars may also be extended to rest on T-bar ceilings (optional clip-on T-bar hangers available).

Lamp/Electrical

(1) 50W 12V MR16, GU5.3 base.
Ceramic terminal block socket.
Class H Magnetic transformer, thermally protected. Mounted to junction box cover for snap on/off convenience.
Approved for (5) #12 AWG (max.) branch through-circuit 90°C wiring.

Can be used with low voltage magnetic dimming controls for optimal control of illumination.

Mounting

Dual extension hanger bars span from 15" to 25-1/4" with reversible placement feature. Integral holding spikes for easy mounting to wood joists. Hanger bars may be extended to rest on T-bar grid.

Trims

Baffle, multiplier, wall wash, accent and adjustable trim options available to suit a broad range of applications. See "Trims for 3" Low Voltage Recessed Housings" spec sheet for details.

Warranty

This fixture is covered by Con-Tech's full one year replacement guarantee after date of purchase. Transformer has a one (1) year warranty.

Listing

cULus listed. Suitable for damp locations. City of Chicago approved, CCEA listed, when CP option is selected.

Ordering Information

Example Order:

Housing/Voltage

LVR316 - 120V/12V
LVR316 277V - 277V/12V

Trims

For Trims, see "Trims for 3" Low Voltage Recessed Housings" spec sheet.

Options

CP - Chicago Plenum
CTR18-P - LV Monopoint Adapter
HB-24 - 27" Flat Hanger Set for RL-KIT
HB-30 - Optional T-Bar Hanger Set
HBC-24 - 25" C-Channel Hanger Set for RL-KIT
RL-KIT - Commercial Mounting Brackets

