

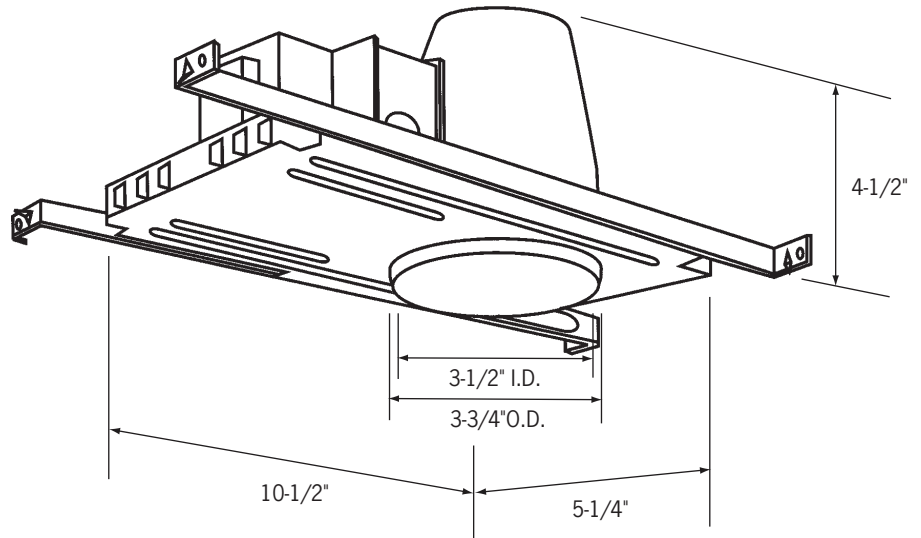
# LVR3164L

**3" 4W LED Downlight  
for New Construction**

Catalog No. \_\_\_\_\_

Type \_\_\_\_\_

Project \_\_\_\_\_



**Ceiling Opening:** 3-7/8"  
**Max. Ceiling Thickness:** 1"

## Specifications/Features

### Housing

Fixture includes (1) 4W Philips EnduraLED™ MR16 LED Lamp, 10° or 25° beam distribution.

Solid housing design stands up to tough installation challenges.

Versatile mounting features provide fast installation.

For solid or suspended ceilings.

Lamp housing is removable through ceiling aperture for access to junction box.

Junction box has (3) 1/2" knockouts with spring latch access plates. "Sure-grip" springs permit housing to be lowered and adjust to ceiling thickness.

Reversible dual extension hanger bars span 15" - 25-1/4" with integral holding spikes for easy mounting to wood joists. Hanger bars may also be extended to rest on T-bar ceilings (optional clip-on T-bar hangers available).

### Lamp

(1) 4W Philips EnduraLED™ MR16 LED Lamp, GU5.3 Base (Included).

### Electrical

Ceramic terminal block socket.

Class H Magnetic transformer, thermally protected. Mounted to junction box cover for snap on/off convenience.

Approved for (5) #12 AWG (max.) branch through-circuit 90°C wiring.

### Mounting

Dual extension hanger bars span from 15" to 25-1/4" with reversible placement feature. Integral holding spikes for easy mounting to wood joists.

Hanger bars may be extended to rest on T-bar grid.

### Trims

Many trim options available to suit a broad range of applications. See page two for details.

### Warranty

This complete fixture is covered by Con-Tech's full five (5) year replacement guarantee after date of purchase.

### Listing

cULus listed. Suitable for damp locations.

## Ordering Information

Example Order:

Fixture	Beam Distribution	Color Temperature	Trim	Options
<input type="text" value="LVR3164L"/>	<input type="text" value="10 - 10° Beam&lt;br/&gt;25 - 25° Beam"/>	<input type="text" value="3 - Warm White,&lt;br/&gt;3000K"/>	<input type="text" value="301-(B,P,WHT) - Adjustable Baffle&lt;br/&gt;303-P - White Slotted Wall Wash&lt;br/&gt;306-P - Surface Adjustable Baffle&lt;br/&gt;307-(B,P,NK,WHT) - Adjustable Pin Spot&lt;br/&gt;325-(B,P,NK) - Fully Adjustable"/>	<input flat="" hanger="" set<br="" type="text" value="HB-24 - 27"/> HB-30 - Optional T-Bar Hanger Set HBC-24 - 25" C-Channel Hanger Set RL-KIT - Commercial Mounting Brackets"/>



# Trims for 3" 4W LED Recessed Housings

Catalog No. \_\_\_\_\_

Type \_\_\_\_\_

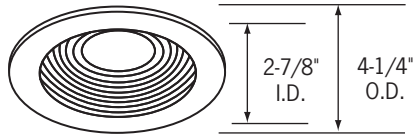
Project \_\_\_\_\_

**All trims have white trim finish unless specified.**

Maximum lamp rating: 4W Philips EnduraLED™ MR16 LED Lamp, 10° or 25° beam distribution.

All trims are cULus listed.

All trims are suitable for damp locations.

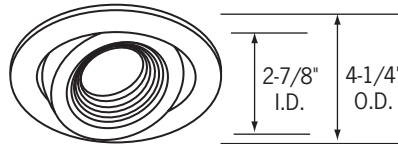


**301-B**  
Adjustable Black Baffle, Black Trim

**301-P**  
Adjustable Black Baffle

**301-WHT**  
Adjustable White Baffle

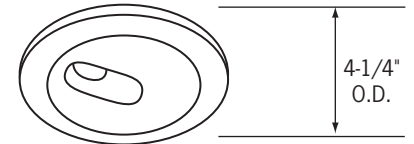
15° Vertical swing.



**307-(P, B, NK)**  
Adjustable Pin Spot; Black Baffle, Select Trim Finish

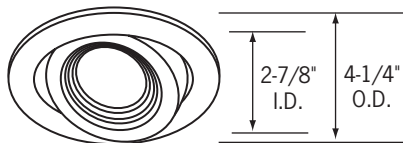
**307-WHT**  
Adjustable Pin Spot; White Baffle, White Trim

Deep baffle for maximum lamp concealment. May be used as a pin spot style downlight or an adjustable accent light. 35° Vertical adjustment.



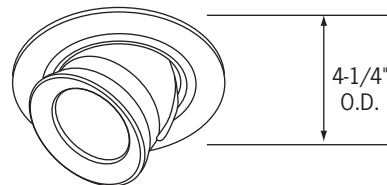
**303-P**  
Slotted Wall Wash; White Trim

Internal 50° swing adjustment, external 358° rotation. Slot aperture permits maximum beam area adjustment for either wall wash or concealed accent lighting effects. Black interior surface.



**306-P**  
Surface Adjustable; Black Baffle

40° Vertical adjustment, 359° horizontal rotation. Regressed black baffle reduces surface brightness. Flat, stainless mounting clips hold trim firmly to ceiling.



**325- (P, B, NK)**  
Fully Adjustable; Select Finish

Die cast, fully adjustable, round lampholder and backplate. Easy relamping with twist-off front retaining ring. Unsurpassed aiming flexibility: 87° vertical, 359° rotational.

## Reflector/Trim Finishes

**Reflector Finish Options:**

WHT - White Light, Specular

**Trim Finish Options:**

P - White  
B - Black  
NK - Nickel

