

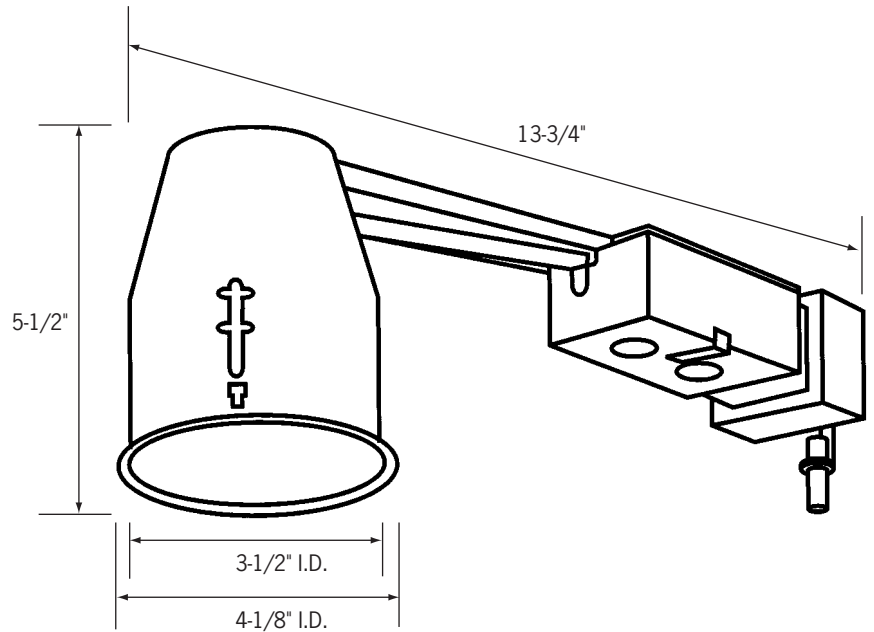
LVR316R4L

3" 4W LED Downlight Remodel Style Housing

Catalog No. _____

Type _____

Project _____



Ceiling Opening: 3-7/8"
Max. Ceiling Thickness: 1"

Specifications/Features

Housing

Fixture includes (1) 4W Philips EnduraLED™ MR16 LED Lamp, 10° or 25° beam distribution.
Low silhouette design for remodeling applications in solid or suspended ceilings.
Narrow fixture design for fast installation through ceiling opening minimizes remodeling mess.
Retractable mounting clips allow easy installation into existing ceiling.

Lamp

(1) 4W Philips EnduraLED™ MR16 LED Lamp, GU5.3 Base (Included).

Electrical

Ceramic terminal block socket.
Class H "in-line" magnetic transformer is prewired and thermally protected. 120V in/12V out. Conveniently mounted to end of Junction Box and is replaceable to simplify future maintenance.
(6) 1/2" knock outs and spring latch access plates in Junction Box.

Lamp housing is removeable through ceiling aperture for access to Junction Box.
Can be used with low voltage, magnetic dimming controls for optimal control of illumination.

Mounting

Fixture is easily installed through ceiling opening.
Retractable mounting clips lock fixture in place and adjust for different ceiling thicknesses from 1/2" to 1".

Trims

Many trim options available to suit a broad range of applications.
See page two for details.

Warranty

This complete fixture is covered by Con-Tech's full five (5) year replacement guarantee after date of purchase.

Listing

cULus listed. Suitable for damp locations.

Ordering Information

Example Order:

Fixture	Beam Distribution	Color Temperature	Trim	Options
<input type="text"/>	<input type="text"/>	<input type="text"/>	<input type="text"/>	<input type="text"/>
LVR316R4L	10 - 10° Beam 25 - 25° Beam	3 - Warm White, 3000K	301-(B,P,WHT) - Adjustable Baffle 303-P - White Slotted Wall Wash 306-P - Surface Adjustable Baffle 307-(B,P,NK,WHT) - Adjustable Pin Spot 325-(B,P,NK) - Fully Adjustable	HB-24 - 27" Flat Hanger Set HB-30 - Optional T-Bar Hanger Set HBC-24 - 25" C-Channel Hanger Set RL-KIT - Commercial Mounting Brackets



Trims for 3" 4W LED Recessed Housings

Catalog No. _____

Type _____

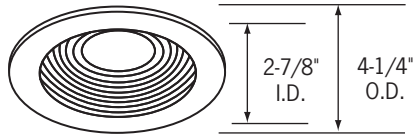
Project _____

All trims have white trim finish unless specified.

Maximum lamp rating: 4W Philips EnduraLED™ MR16 LED Lamp, 10° or 25° beam distribution.

All trims are cULus listed.

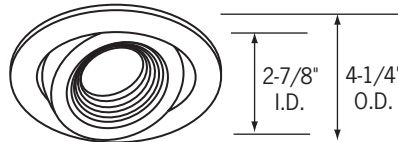
All trims are suitable for damp locations.



301-B
Adjustable Black Baffle, Black Trim

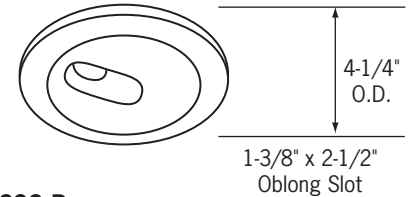
301-P
Adjustable Black Baffle

301-WHT
Adjustable White Baffle
15° Vertical swing.

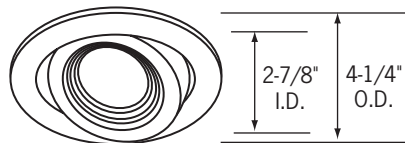


307-(P, B, NK)
Adjustable Pin Spot; Black Baffle, Select Trim Finish

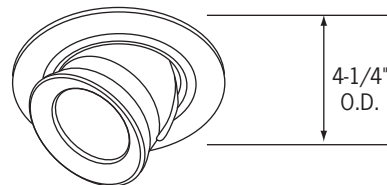
307-WHT
Adjustable Pin Spot; White Baffle, White Trim
Deep baffle for maximum lamp concealment. May be used as a pin spot style downlight or an adjustable accent light. 35° Vertical adjustment.



303-P
Slotted Wall Wash; White Trim
Internal 50° swing adjustment, external 358° rotation. Slot aperture permits maximum beam area adjustment for either wall wash or concealed accent lighting effects. Black interior surface.



306-P
Surface Adjustable; Black Baffle
40° Vertical adjustment, 359° horizontal rotation. Regressed black baffle reduces surface brightness. Flat, stainless mounting clips hold trim firmly to ceiling.



325- (P, B, NK)
Fully Adjustable; Select Finish
Die cast, fully adjustable, round lampholder and backplate. Easy relamping with twist-off front retaining ring. Unsurpassed aiming flexibility: 87° vertical, 359° rotational.

Reflector/Trim Finishes

Reflector Finish Options:

WHT - White Light, Specular

Trim Finish Options:

P - White
B - Black
NK - Nickel

