

LVR316-IC

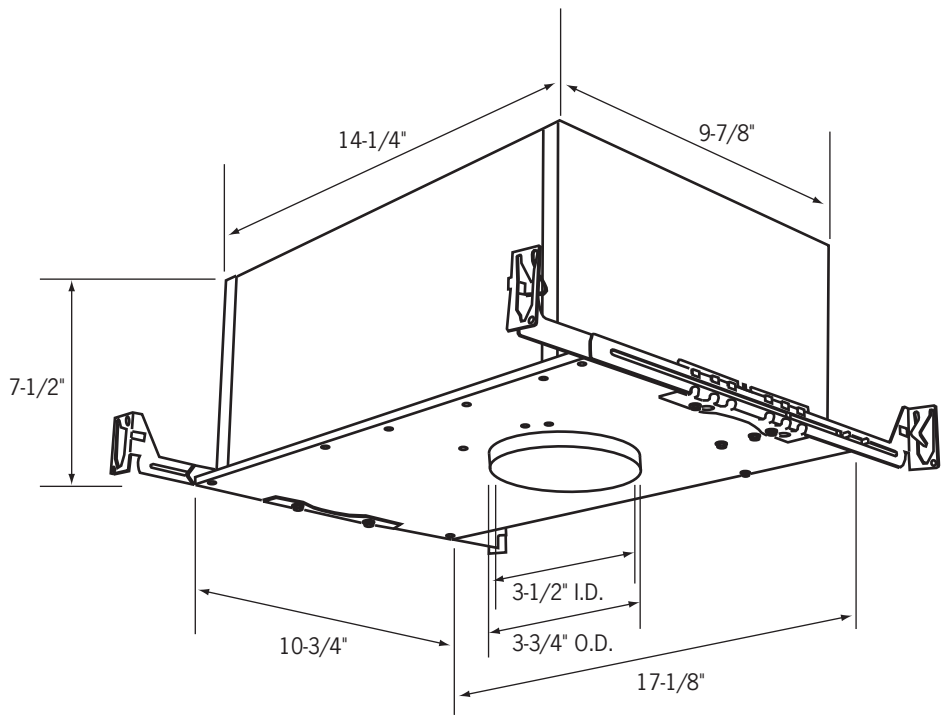
**Low Voltage Recessed Downlight
for Insulated Ceiling
StopAire® Rated**

Catalog No. _____

Type _____

Project _____

Ceiling Opening: 3-7/8"
Max. Ceiling Thickness: 1"



Specifications/Features

Housing

For insulated ceilings (solid or suspended) conforming to Washington State Energy Code (WSEC) for low air infiltration.

StopAire® rated for Air-Tight Applications.

J-Box cover is removable through ceiling aperture for access to junction box.

Junction Box has (4) 1/2" and (2) 3/4" knockouts with spring latch access plates.

"Sure-grip" spring permits inner housing to be lowered for adjustment to ceiling thickness.

Lamp/Electrical

(1) 12V 50W MR16; 50W max., GU5.3 base

Thermally protected Magnetic Class H Transformer is prewired, 120V in/12V out. Removeable through ceiling aperture.

Can be used with low voltage, magnetic dimming controls for optimal control of illumination.

Mounting

Reversible dual extension hanger bars span 15" - 25-1/4" with integral holding spikes for easy mounting to wood joists. Hanger bars may be extended to rest on T-bar grid (optional clip-on T-bar hangers available).

Trims

Baffle, multiplier, wall wash, accent and adjustable trim options available to suit a broad range of applications. See "Trims for 3" Low Voltage Recessed Housings" spec sheet for details.

Warranty

This fixture is covered by Con-Tech's full one year replacement guarantee after date of purchase.

Listing

cULus listed. Suitable for damp locations.

Ordering Information

Example Order:

LVR316-IC

CTR306-P

CTR18-P

Housing/Voltage

LVR316-IC - 120V/12V

Trims

For Trims, see "Trims for 3" Low Voltage Recessed Housings" spec sheet.

Options

CTR18-P - LV Monopoint Adapter
HB-24 - 27" Flat Hanger Set for RL-KIT
HB-30 - Optional T-Bar Hanger Set
HBC-24 - 25" C-Channel Hanger Set for RL-KIT
RL-KIT - Commercial Mounting Brackets

