

LVR316LT

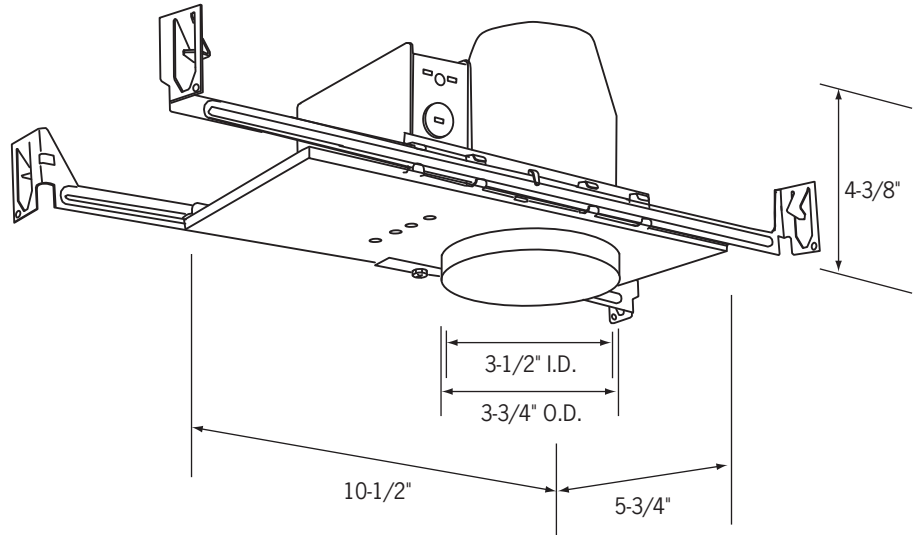
**Low Voltage Downlight
for Remote Transformer Use;
New Construction**

Catalog No. _____

Type _____

Project _____

Ceiling Opening: 3-7/8"
Max. Ceiling Thickness: 1"



Specifications/Features

Housing

Low silhouette design for new construction applications in solid or suspended ceilings.
Solid housing design stands up to tough installation challenges. Versatile mounting features provide fast installation.
Housing designed for use with remote 12 or 24V low voltage electronic or magnetic transformers. LRT series transformers recommended.

Lamp/Electrical

(1) 12 or 24V 50W MR16; 50W max., GU5.3 base
Fully dimmable with proper low voltage dimmers.
Electronic transformers require electronic low voltage dimmers; magnetic transformers require magnetic low voltage transformers.
Thermally protected housing for safety.
Ceramic terminal block socket.

Mounting

Dual extension hanger bars span from 15" to 25-1/4".
Integral holding spikes for easy mounting to wood joists.
Optional clip-on T-bar hangers (HB-30) also available.
Lamp housing is removable through ceiling opening for access to the junction box.
Housing adjusts to various ceiling thicknesses with three (3) screws.

Trims

Wide selection of trim models available to suit the needs of economy, performance or decorative specifications.
See "3" Trims for Low Voltage Housings" spec sheet for details.

Warranty

This fixture is covered by Con-Tech's full one year replacement guarantee after date of purchase.

Listing

cULus listed. Suitable for damp locations.
City of Chicago approved. CCEA listed.

Ordering Information

Example Order:

LVR316LT

LRT-151

CTR312-P

HB-24

Housing

Remote Transformers* - Class II Power Sources

Trims

Options

LVR316LT

Multi-Circuit Electronic-AC (12' Range)

- LRT-151** - 120V/12V AC, 20-150W Range, (3) 50W Circuits, 150W Max.
- LRT-303** - 120V/12V AC, 40-300W Range, (6) 50W Circuits, 300W Max.

Compact Electronic-AC (12' Range)

- LVT-151** - 120V/12V AC, 20-150W Range
- LVT-303** - 120V/12V AC, 40-300W Range

Compact Electronic-DC (25' Range)

- LVT-151-DC** - 120V/12V DC, 20-150W Range
- LVT-303-DC** - 120V/12V DC, 40-300W Range

Magnetic Supply with Magnetic Circuit Breaker (Variable Range)

- LVT-150** - 120V/12V AC, 150W Max.
- LVT-300** - 120V/12V AC, 300W Max.
- LVT-300-277V** - 277V/12V AC, 300W Max.
- LVT-600-C** - 120V/12V AC, 600W Max., (2) 300W Circuits

For Trims, see attached "Trims for 3" Low Voltage Recessed Housings" spec sheet.

- CP** - Chicago Plenum
- HB-24** - 27" Flat Hanger Set
- HBC-24** - 25" C-Channel Hanger Set
- HB-30** - Optional T-Bar Hanger Set
- RL-KIT** - Commercial Mounting Brackets

**LRT transformers are recommended for optimum protection of individual fixtures. All power supplies have short circuit and thermal protection.*



1-847-559-5500

www.con-techlighting.com

All specifications subject to change without notice.