

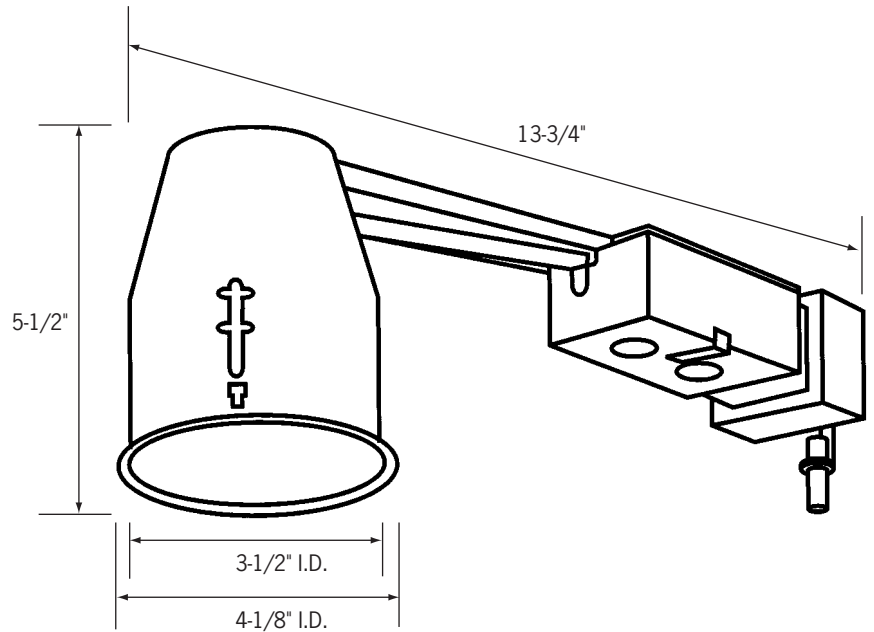
LVR316-R

Low Voltage Downlight Remodel Style Housing

Catalog No. _____

Type _____

Project _____



Ceiling Opening: 3-7/8"
Max. Ceiling Thickness: 1"

Specifications/Features

Housing

Low silhouette design for remodeling applications in solid or suspended ceilings.
Narrow fixture design for fast installation through ceiling opening minimizes remodeling mess.
Retractable mounting clips allow easy installation into existing ceiling.

Lamp/Electrical

(1) 50W 12V MR16, GU5.3 base.
Class H "in-line" magnetic transformer is prewired and thermally protected. 120V in/12V out. Conveniently mounted to end of J-Box and is replaceable to simplify future maintenance.
(6) 1/2" knock outs and spring latch access plates in J-Box.
Lamp housing is removeable through ceiling aperture for access to J-Box.
Can be used with low voltage, magnetic dimming controls for optimal control of illumination.
Ceramic terminal block socket.

Mounting

Fixture is easily installed through ceiling opening.
Retractable mounting clips lock fixture in place and adjust for different ceiling thicknesses from 1/2" to 1".

Trims

Wide selection of trim models available to suit the needs of economy, performance or decorative specifications.
See "3" Trims for Low Voltage Housings" spec sheet for details.

Warranty

This fixture is covered by Con-Tech's full one year replacement guarantee after date of purchase.

Listing

cULus listed. Suitable for damp locations.

Ordering Information

Example Order:

Housing/Voltage

LVR316-R - 120V/12V

Trims

For Trims, see attached "Trims for 3" Low Voltage Recessed Housings" spec sheet.

Options

CP - Chicago Plenum
CTR18-P - LV Monopoint Adapter
HB-24 - 27" Flat Hanger Set
HB-30 - Optional T-Bar Hanger Set
HBC-24 - 25" C-Channel Hanger Set
RL-KIT - Commercial Mounting Brackets

