

SYMPHONY

miniTRACK

LOW VOLTAGE LIGHTING SYSTEM

Low Voltage Fixtures

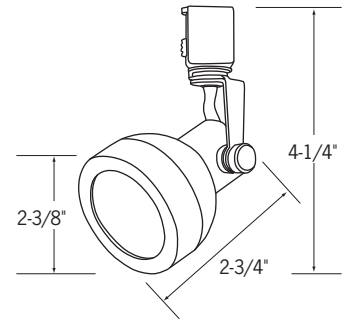
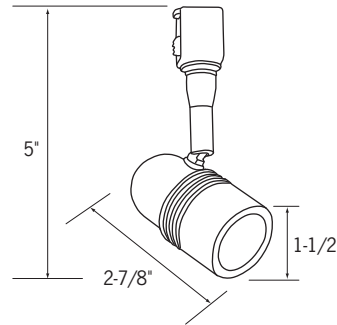
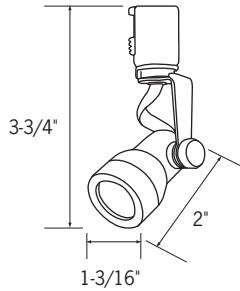
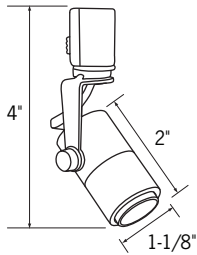
Catalog No. _____

Type _____

Project _____

The Symphony low voltage fixture collection is crafted from high quality materials. The small scale of the Symphony track system allows layouts to be hidden away or seen with stylish fixture designs that enhance the space. Fixtures use Halogen lamps, are rated for 12V or 24V operation, are cULus listed

for dry locations and carry Con-Tech's one year full replacement warranty (from date of purchase). See specific fixtures for lamp type, voltage restrictions and maximum wattage. Lamps sold separately. Fixtures are available in Black (B), White (P) and Silver (S).



LED Bullet

Adjustable lens: 17° - 45°. Review minimum wattage requirements of transformer being used.
Lamp: 3W LED



MCT-3LEDC-(B, P, S) - Cool White (6650°K)
MCT-3LEDW-(B, P, S) - Warm White (3000°K)

MR8 Enclosed Bullet, Single Yoke Assembly

Lamp: 35W max., MR8 FG, GU4 base



MCT-2108-(B, P, S)

MR11 Enclosed Bullet, Center Stem

Lamp: 35W max., MR11, GU4 base
Lens Size: 1-11/32"



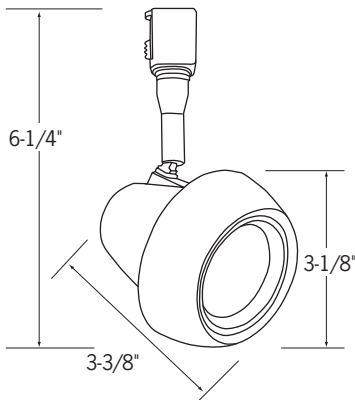
MCT-2111-(B, P, S)

MR16 Enclosed Bullet, Single Yoke Assembly

Lamp: 50W max., MR16, GU5.3 base
Lens Size: 2"



MCT-2116-(B, P, S)

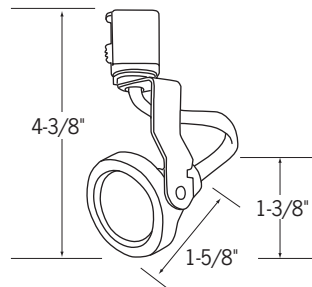


Drama

Lamp: 50W max., MR16, GU5.3 base
Lens Size: 2"



MCT-5116-(B, P, S)

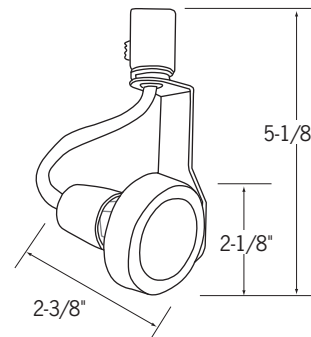


MR11 Gimbal Single Offset Side Yoke

Lamp: 35W max., MR11, GU4 base
Lens Size: 1-11/32"



MCT-8111-(B, P, S)

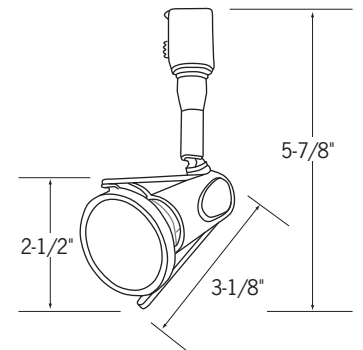


MR16 Gimbal Single Offset Side Yoke

Lamp: 50W max., MR16, GU5.3 base
Lens Size: 2"



MCT-8116-(B, P, S)



Crescendo

Lamp: 50W max., MR16, GU5.3 base
Lens Size: 2"



MCT-8316-(B, P, S)



SYMPHONY miniTRACK

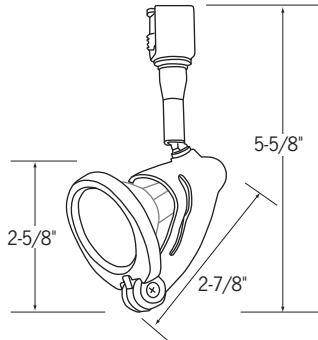
LOW VOLTAGE LIGHTING SYSTEM

Low Voltage Fixtures

Catalog No. _____

Type _____

Project _____

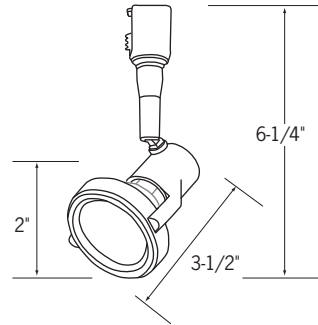


Allegro

Lamp: 50W max., MR16, GU5.3 base
Lens Size: 2"



MCT-8416-(B, P, S)

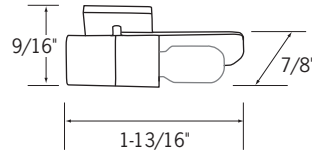


Cadence

Lamp: 50W max., MR16, GU5.3 base
Lens Size: 1-7/8"



MCT-9816-(B, P, S)

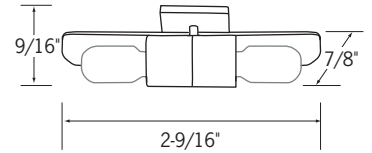


**Single Wedge Base Lampholder,
Polished Aluminum Reflector**

Lamp: 10W max., Xenon T3-1/4,
wedge base



MCT-101-(B, P, S)

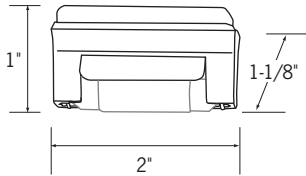


**Double Wedge Base Lampholder,
Polished Aluminum Reflector**

Lamp: (2) 10W max., Xenon T3-1/4,
wedge base



MCT-102-(B, P, S)

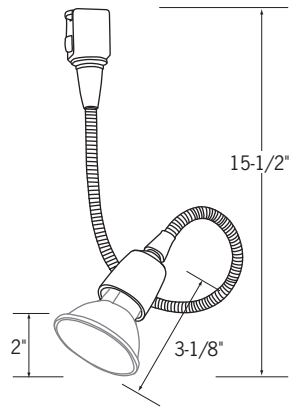


**Festoon Fixture with
Adjustable Reflector**

Symmetrical light distribution.
Lamp: 10W max., T3-1/4 Festoon,
S8-5/8 base or 0.48W LED
Festoon, S8-5/8 base



MCT-201-(B, P, S)

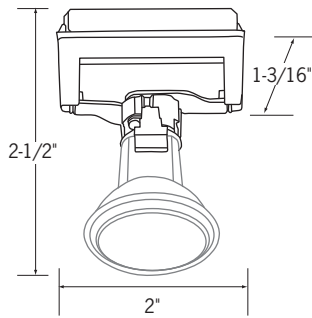


Flexible 12" Chrome Stem

Lamp: 50W max., MR16 FG, GU5.3 base
Lens Size: 2"



MCT-616-12-(B, P, S)

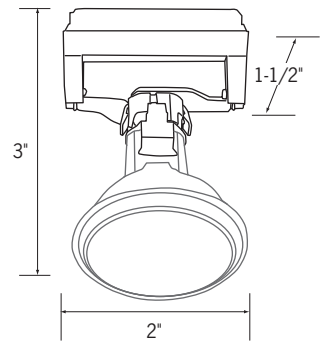


Adjustable MR8/MR11 Fixture

Lamp: 35W Max. MR8 FG or
MR11 FG, GU4 base



MCT-401-(B, P, S)

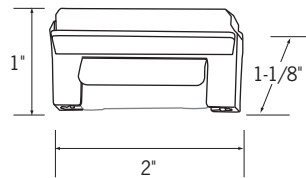


Adjustable MR16 Fixture

Lamp: 35W max., MR16 FG,
GU5.3 base



MCT-501-(B, P, S)

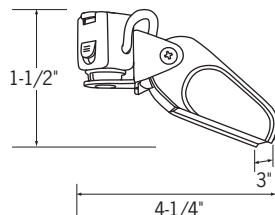


**Rigid Loop Fixture with
Adjustable Reflector**

Symmetrical light distribution.
Lamp: 10W max., T3-1/4,
Rigid loop base



MCT-301-(B, P, S)



Halogen Floodlight

Lamp: 20W Max. T4, GY6.35 base



MCT-601-(B, P, S)

