

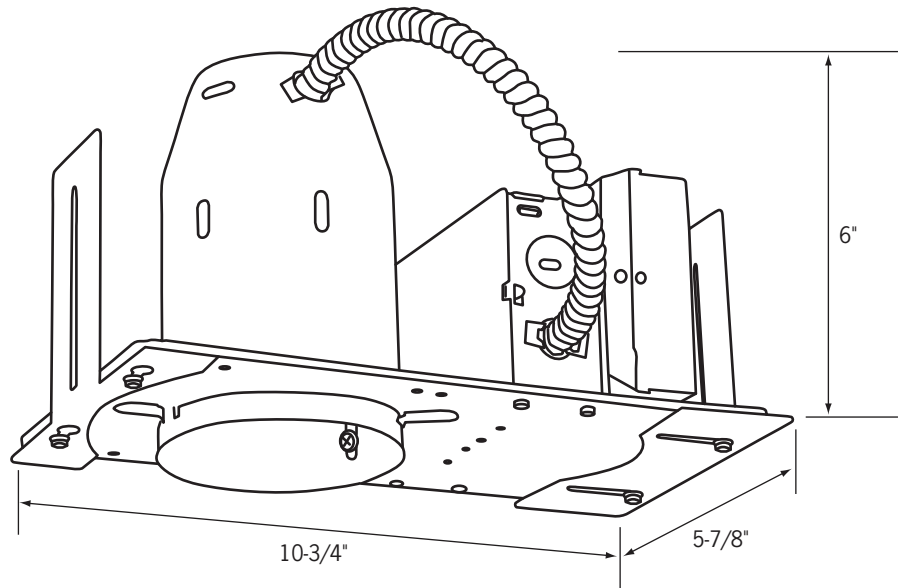
RA316E

**3" 20W and 39W
Ceramic Metal Halide
New Construction Housing**

Catalog No. _____

Type _____

Project _____



**Ceiling Opening: 3-7/8"
Max. Ceiling Thickness: 1"**

Specifications/Features

Housing/Mounting

Architectural grade 3" housing, 3-1/2" aperture size.
3-7/8" Ceiling opening, allow minimum 3" clearance around fixture from insulation material in insulated ceilings.

"Sure grip" spring permits housing to be lowered and adjust to ceiling thickness varying ceiling thicknesses (1" max.).

Lamp housing is removable through ceiling aperture for access to junction box.

Commercial mounting kit (RL-KIT) provided for all types of suspended ceilings. Includes butterfly slots for C-channel mounting brackets (HBC-24) and vertical slots for flat hanger bar set (HB-24). Provides up to 5" of vertical adjustment and variable settings with choice of slots. Hanger bars not included.

Lamp/Electrical

(1) 20W or 39W Ceramic Metal Halide MR16, GX10 base.

Aluminum heat sink prevents lamp overheating.

Electronic Ballast: 120V or 277V for 50/60Hz operation Extends lamp life up to 20% longer than magnetic ballasts. Constant power design adjusts to line and lamp voltage fluctuations, reducing lamp color variations and providing good color rendition.

20W CMH: 24W Input. 0.20A@120V, 0.10A@277V

39W CMH: 44W Input. 0.39A@120V, 0.17A@277V

Sound rating A, Harmonic Distortion < 15%

End-of-life circuit and thermal protection for maximum safety.

Junction box has (3) 1/2" pryouts, (2) 1/2" & 3/4" concentric pryouts, and (4) Romex pryouts with spring latch access plates.

Trims

Many different trims options are available to complement any design style. See "Trims for 3" CMH MR16 Recessed Housings" spec sheet for trim selection and ordering information.

Warranty

This fixture is covered by Con-Tech's full one (1) year replacement guarantee after date of purchase.

Electronic ballasts have a five (5) year manufacturer's warranty.

Listing

cULus listed. Suitable for damp locations.

New York City approved, calendar number 47553.

Ordering Information

Example Order:

Housing	Voltage	Trims	Options
<input type="text"/>	<input type="text"/>	<input type="text"/>	<input type="text"/>

RA316E20MH - 20W
RA316E39MH - 39W

120V - Standard
Leave blank
27 - 277V

For Trim Options, see "Trims for 3" CMH MR16 Recessed Housings" spec sheet for trim information and details.

HB-24 - Flat hanger set for use with RL-KIT. Length: 27"
HBC-24 - C-channel hanger bar set for use with RL-KIT in grid ceiling construction. Length: 25"
CP - Chicago Plenum (Consult Factory)

