

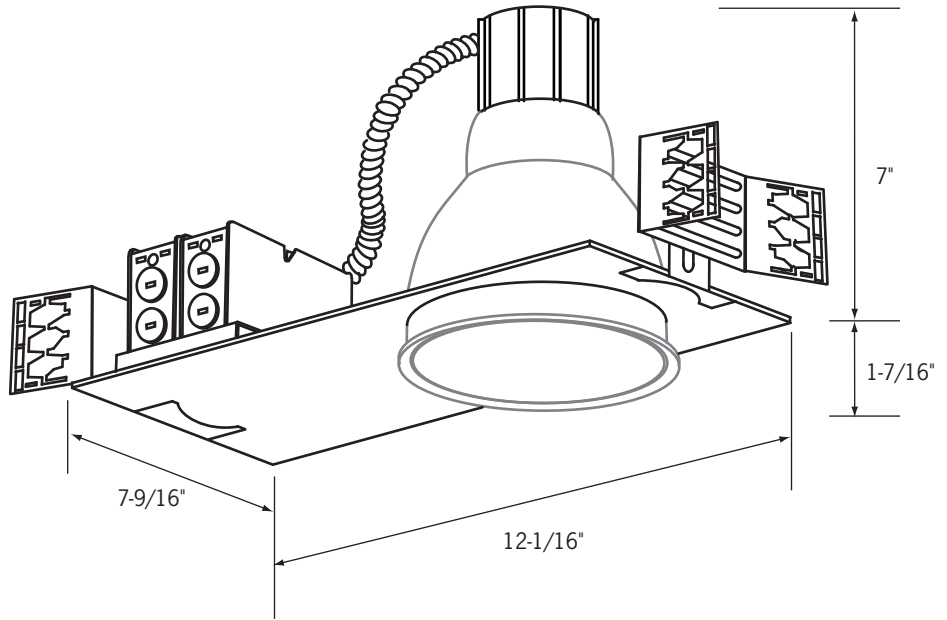
# RA4100VINC

## 4" Architectural Grade Incandescent Housing, Vertical Lamp

Catalog No. \_\_\_\_\_

Type \_\_\_\_\_

Project \_\_\_\_\_



### Specifications/Features

#### Housing/Mounting

Architectural grade 4" housing, 4-5/16" aperture. 5" Ceiling opening. Adjusts to varying ceiling thickness (1-1/4" max). Allow 3" clearance around fixture.

Non-IC thermally protected frame-in kit for vertical incandescent lamps. Heat sink prevents lamp from overheating.

Large junction box easily accessed from above or below the ceiling. (8) 1/2" knockouts, (2) concentric 1/2" - 3/4" knockouts, and (8) Romex knockouts.

Supplied with interlocking, adjustable hanger bars that expand from 14" to 24" with built-in nailers. Hangers fit onto T-Bar ceilings.

Optional accessories for mounting in solid or suspended ceilings.

#### Lamp/Electrical

(1) 100W A19 Lamp (max), E26 Medium Base, 120V.

Socket position adjusts 1-1/2" for various lamps and distributions.

#### Trims

Commercial Grade trims are available in several different finishes to complement your space. Commercial grade trims have white trim flanges.

Specification Grade trims have a high quality, Alzak™, low iridescence finish and are optically designed for maximum lumen output and are self-flanged. Specification grade trims are available with white painted flange.

#### Warranty

This fixture is covered by Con-Tech's full one year replacement guarantee after date of purchase.

Electronic ballasts have a 5 year warranty.

#### Listing

cULus listed. Suitable for damp locations.

### Ordering Information

Example Order:

RA4100VINC

CTR4322V-PL

HB-24

Housing

RA4100VINC

Trims

For Trim Options, see "RA4100VINC Trims" spec sheet.

Options

**HB-24** - 27" Flat Hanger Set  
**HBC-24** - 25" C-Channel Hanger Set  
**RL-KIT** - Emergency battery backup for remote field installation

