

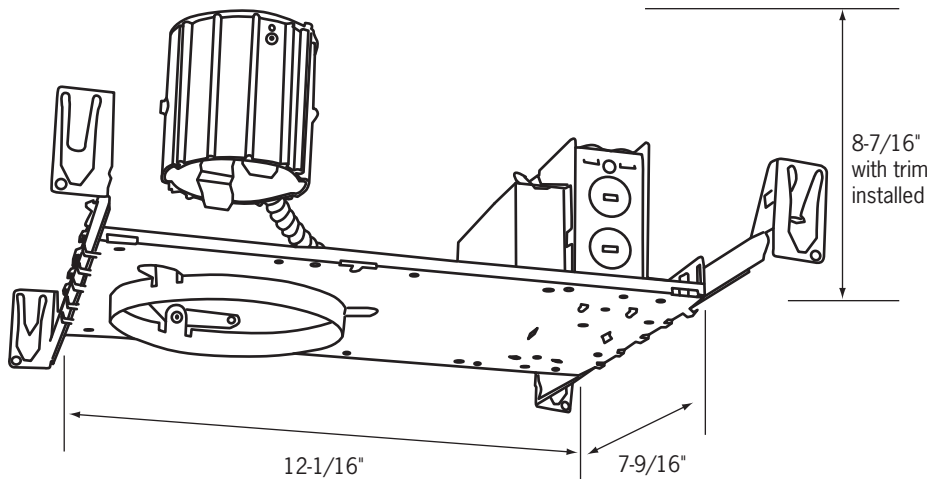
RA4118VEMV RA4132VEMV

**4" Architectural Grade
New Construction
Compact Fluorescent Housing**

Catalog No. _____

Type _____

Project _____



Ceiling Opening: 5"

Specifications/Features

Housing/Mounting

Architectural grade 4" housing.
5" Ceiling opening; allow 3" clearance around fixture. Adjusts to varying ceiling thicknesses (2" max).
Heat-sink aluminum socket cup with key holes for vertical lamp adjustment. This 1-1/2" lamp height adjustability allows for distinct beam spreads (wide, medium, narrow).
Heavy duty steel plaster frame holds reflector trim in place with four "trim lock" dimpled spring clips.
Interlocking, adjustable hanger bars expand from 14" to 24".
Optional Commercial Mounting Kit (RL-KIT) provides up to 5" of vertical adjustment. Use with flat hanger bars (HB-24) for installation to T-bar, grid, or concealed spline ceiling construction; C-channel hangers (HBC-24) for grid ceiling applications.

Lamp/Electrical

RA4118VEMV: (1) 13W 4-PIN DTT/TRT (G24Q-1/GX24Q-1 base)
or (1) 18W 4-PIN DTT/TRT (G24Q-2/GX24Q-2 base)

RA4132VEMV: (1) 26W or 32W DTT/TRT 4-PIN (G24Q-3/GX24Q-3 base)
Lamps sold separately.

Junction box has (4) 1/2" knockouts, (1) 1/2" – 3/4" concentric knockout, plus (4) Romex knockouts, each with screwdriver pry-outs.
Modified rapid-start, electronic multi-wattage ballast with high power factor. May be operated on 120V through 277V circuits, 50 or 60Hz. Built-in safety feature senses end-of-lamp life, lamp removal or breakage. Class P thermally protected by internal fuse in ballast.
Maximum input (13W) current: @ 120V (.13 A), @ 277V (.05 A)
Maximum input (18W) current: @ 120V (.15 A), @ 277V (.07 A)
Maximum input (26W) current: @ 120V (.24 A), @ 277V (.10 A)
Maximum input (32W) current: @ 120V (.27 A), @ 277V (.13 A)

Trims

Commercial Grade trims are available in several different styles and finishes to complement your space. Commercial Grade trims have white trim flanges.
Specification Grade trims have a high quality Alzak™ low iridescence finish and are optically designed for maximum lumen output. Available with white painted flange.

Warranty

This fixture is covered by Con-Tech's full one (1) year replacement guarantee after date of purchase.
Electronic ballasts have a five (5) year manufacturer's warranty.

Listing

cULus listed. Suitable for damp locations.
New York City approved, calendar number 45706.

Ordering Information

Example Order:

RA4118VEMV

CST432V-PL

Housing

RA4118VEMV - 13W/18W
RA4132VEMV - 26W/32W

Trims

For Trims, see "4" Trims for Vertical Lamp Compact Fluorescent Recessed Housings" spec sheet for trim information and details.

Options

- DIMAMX** - Advance MarkX Dimming Option
- DIMLSE** - Lutron SE Dimming Option
- EB4** - Factory Installed 4-PIN 650 Lumen Emergency Ballast with Remote Test Switch
- EB4-IS** - Factory Installed 4-PIN 650 Lumen Emergency Ballast with Internal Test Switch
- EB4R** - Remote 4-PIN 650 Lumen Emergency Ballast with Remote Test Switch
- EBH-IS** - Factory Installed 4-PIN 1300 Lumen Emergency Ballast with Internal Test Switch
- EB Bracket** - Mounting Bracket for Remote Emergency Ballast Units. Contact Factory for More Information.
- RL-KIT** - Commercial mounting kit. Includes slots for mounting brackets and hanger bars. Provides up to 5" of vertical adjustment and variable settings with choice of slots.
- HB-24** - Flat hanger set for use with RL-KIT in to T-bar, grid or concealed spline ceiling applications. Length: 27"
- HBC-24** - C-channel hanger bar set for use with RL-KIT in grid ceiling applications. Length: 25"
- CP** - Chicago Plenum (Consult Factory)



RA4118VEMV RA4132VEMV

4" Architectural Grade
New Construction
Compact Fluorescent Housing

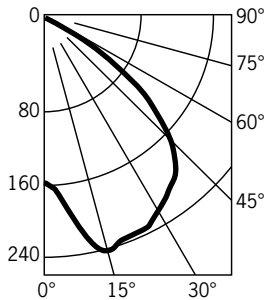
Catalog No. _____

Type _____

Project _____

Trim: CST4322V-CLR Clear Specular Reflector

Lamp: (1) 18W TTT, Lumens: 1200 per lamp, Spacing Criteria: 1.9, Efficiency: 63.6%



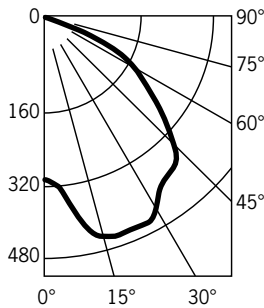
Candlepower Summary	
FROM 0	ZONAL LUMENS
0	161
5	182
15	234
25	252
35	233
45	190
55	96
65	8
75	1
85	0
95	0

Cone of Light		
Note: Diameter shown is where fc value is half the fc at nadir.		
DISTANCE (FT.)	FOOTCANDLES (FC)	BEAM DIAMETER (FT.)
6'	4.5	11.1
8'	2.5	14.8
10'	1.6	18.5
12'	1.1	22.2
14'	0.8	25.9
16'	0.6	29.6

Coefficients of Utilization						
Note: Effective floor cavity reflectance = 20%						
RC RW	80%		70%		50%	
	50%	30%	50%	30%	50%	30%
0	57	57	56	56	54	54
1	52	50	51	50	49	48
2	47	44	46	43	44	42
3	42	39	41	38	40	37
4	38	34	37	34	36	33
5	34	30	33	30	32	29
6	31	27	30	27	29	26
7	28	24	27	24	27	23
8	25	22	25	21	24	21
9	23	20	23	19	22	19
10	21	18	21	18	21	17

Trim: CST4322V-CLR Clear Specular Reflector

Lamp: (1) 32W DTT, Lumens: 2400 per lamp, Spacing Criteria: 2.0, Efficiency: 57.4%



Candlepower Summary	
FROM 0	ZONAL LUMENS
0	305
5	343
15	453
25	516
35	485
45	412
55	258
65	146
75	16
85	1
95	0

Cone of Light		
Note: Diameter shown is where fc value is half the fc at nadir.		
DISTANCE (FT.)	FOOTCANDLES (FC)	BEAM DIAMETER (FT.)
6'	8.5	11.6
8'	4.8	15.5
10'	3.0	19.3
12'	2.1	23.2
14'	1.6	27.1
16'	1.2	30.9

Coefficients of Utilization						
Note: Effective floor cavity reflectance = 20%						
RC RW	80%		70%		50%	
	50%	30%	50%	30%	50%	30%
0	68	68	67	67	64	64
1	61	59	60	58	57	56
2	54	50	53	49	51	48
3	47	43	46	42	45	41
4	42	37	41	37	40	36
5	37	32	37	32	36	32
6	34	29	33	28	32	28
7	30	25	30	25	29	25
8	28	23	27	23	26	22
9	25	21	25	20	24	20
10	23	19	23	19	22	18

