

RAN15038

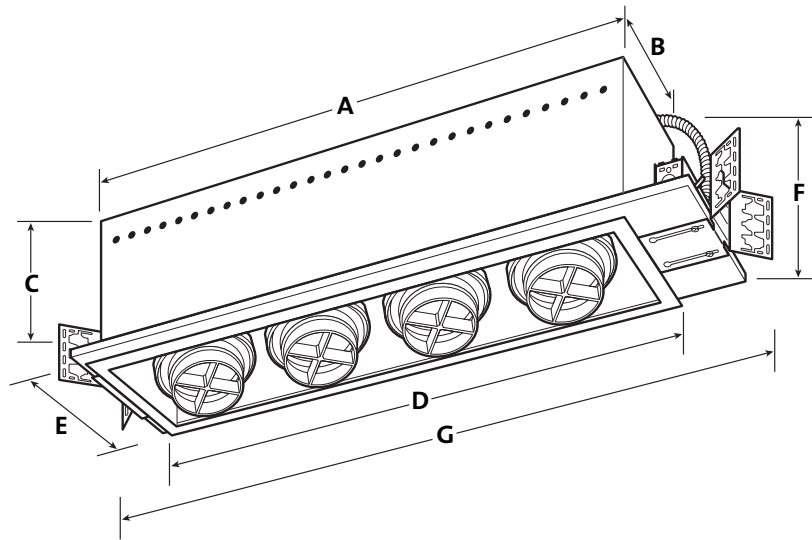
accentuate™

**PAR38 Incandescent
New Construction
Concealed Adjustable
Illumination**

Catalog #

Type

Project



- A = Housing Length
 - B = Housing Width
 - C = Housing Height
 - D = Trim Length
 - E = Trim Width
 - F = Height with Ballast or Transformer included
 - G = Overall Length with minimum and maximum extension (J-box or RL-KIT)
 - H = Cut-Out Length
 - I = Cut-Out Width
- Trim Edge is 1"

Models	A	B	C	D	E	F	G	H	I
X1	10.71"	8.98"	9.25"	11.65"	10.35"	11.02"	20.24" - 22.74"	11.22"	9.25"
X2	18.98"	8.98"	9.25"	19.92"	10.35"	11.02"	28.51" - 31.01"	19.49"	9.25"
X3	27.24"	8.98"	9.25"	27.87"	10.35"	11.02"	36.77" - 39.27"	27.75"	9.25"
X4	35.51"	8.98"	9.25"	36.85"	10.35"	11.02"	45.04" - 47.54"	36.02"	9.25"

Specifications/Features

Housing

New construction housings available in single lamp through four lamp models. Designed for installation into accessible and non-accessible ceilings.

Heavy duty, 18 gauge steel housing. Powder Coat finish in black, white or silver.

Trim

Steel, powder coat trim. Can be finished as a trimless installation. Adjustable lamp holders in black, white or silver. Aluminum cross blade louvers and retaining rings supplied with holder.

Front loading lamp replacement and lockable aiming. (Small tool provided)

Maximum Aiming angles 55° Length and 40° Width

Mounting

Wing type mounting brackets allow for 3-1/8" vertical adjustments. Brackets will accept optional HB-24 Flat Hanger Bars or HBC-24 "C" Channel Hangers.

Lamp

Up to (4) 150W PAR38 Incandescent (max.), E26 Medium Base

Electrical

5KV pulse rated sockets, ceramic E26 medium base. Incandescent 120V/60Hz.

Approved for through wiring: max 12 AWG No. 8, 4-in, 4-out.

Wire rating: 90° C, thermally protected.

Junction box has (3) 1/2" knockouts, (1) concentric 1/2" and 3/4" knockouts plus (4) Romex pryouts.

Warranty

This fixture is covered by Con-Tech's one (1) year full replacement guarantee after date of installation.

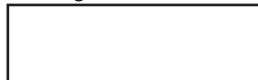
Listing

cULus listed. Suitable for damp locations.
New York City Calendar #44957

Ordering Information

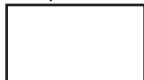
Example Order: **RAN15038M** - **X4** - **B** - **HBC-24** - **LF30-UV**

Housing



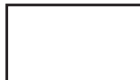
RAN15038

Lamps



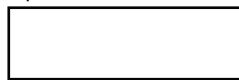
X1 - One
X2 - Two
X3 - Three
X4 - Four

Finish



B - Black
P - White
S - Silver

Options



HB-24 - 27" Flat Hanger Bars
HBC-24 - 25" C-Channel Hanger Bars

Lenses/Filters



LF30 - A, B, CL, G, LB, R, RO, Y, 73, LS, SL, UV

4-11/16" Dia. tempered glass lenses
LA-38 - Black Honeycomb Louver

Limit: (3) Elements per lamp

Color/Pattern Legend

-A (Amber), -B (Blue), -CL (Clear), -G (Green),
-LB (Light Blue), -R (Red), -RO (Rose),
-Y (Yellow), -73 (Spread Lens), -LS (Linear Spread Lens), -SL (Soft Light), -UV (Optivex UV Filter)



1-800-728-0312

www.con-techlighting.com

All specifications subject to change without notice.