

RAN7038MH RAN10038MH

accentuate™

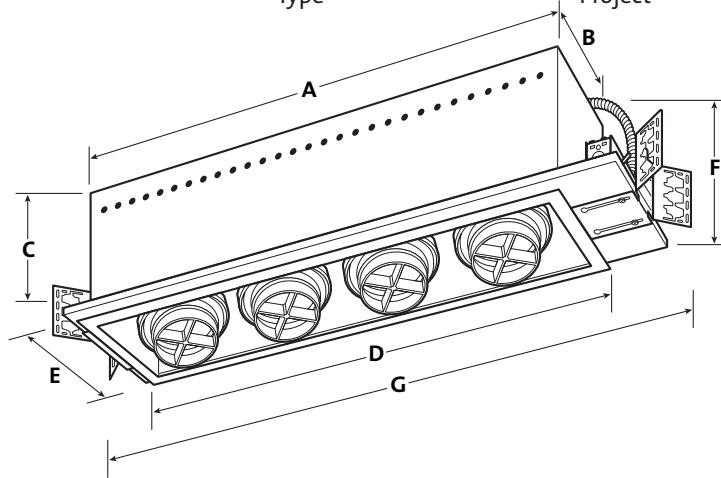
**PAR38 CMH
New Construction
Concealed Adjustable
Illumination**

- A = Housing Length
 - B = Housing Width
 - C = Housing Height
 - D = Trim Length
 - E = Trim Width
 - F = Height with Ballast or Transformer included
 - G = Overall Length with minimum and maximum extension (J-box or RL-KIT)
 - H = Cut-Out Length
 - I = Cut-Out Width
- Trim Edge is 1"

Catalog #

Type

Project



Models	A	B	C	D	E	F	G	H	I
X1	10.71"	8.98"	9.25"	11.65"	10.35"	11.42"	20.24" - 22.74"	11.22"	9.25"
X2	18.98"	8.98"	9.25"	19.92"	10.35"	11.42"	28.51" - 31.01"	19.49"	9.25"
X3	27.24"	8.98"	9.25"	27.87"	10.35"	11.42"	36.77" - 39.27"	27.75"	9.25"
X4	35.51"	8.98"	9.25"	36.85"	10.35"	11.42"	45.04" - 47.54"	36.02"	9.25"

Specifications/Features

Housing

New construction housings available in single lamp through four lamp models. Designed for installation into accessible and non-accessible ceilings.

Heavy duty, 18 gauge steel housing. Powder Coat finish in black, white or silver.

Trim

Steel, powder coat trim. Can be finished as a trimless installation. Adjustable lamp holders in black, white or silver. Aluminum cross blade louvers and retaining rings supplied with holder.

Front loading lamp replacement and lockable aiming. (Small tool provided)

Maximum Aiming angles 55° Length and 40° Width

Mounting

Wing type mounting brackets allow for 3-1/8" vertical adjustments. Brackets will accept optional HB-24 Flat Hanger Bars or HBC-24 "C" Channel Hangers.

Lamp

RAN7038: up to (4) 70W PAR38 CMH, E26 Medium Base

RAN10038: up to (4) 100W PAR38 CMH, E26 Medium Base

Electrical

5KV pulse rated sockets, ceramic E26 medium base.

Ceramic Metal Halide 120V/60Hz and 277V/60Hz

Approved for through wiring: max 12 AWG No. 8, 4-in, 4-out.

Wire rating: 90° C, thermally protected.

Junction box has (3) 1/2" knockouts, (1) concentric 1/2" and 3/4" knockouts plus (4) Romex pryouts.

Sound rating of "A", Harmonic distortion <10%.

70W 120/277V: Maximum input current: 120V/0.67A, 277V/0.29A;

Input watts: 78. Transient protected M98, M139 and M143/0.

100W 120/277V: Maximum input current: 120V/0.94A, 277V/0.42A;

Input watts: 110. Transient protected M90, M140/0.

Warranty

This fixture is covered by Con-Tech's one (1) year full replacement guarantee after date of installation.

Electronic ballasts have a 5 year manufacturer's warranty.

Listing

cULus listed. Suitable for damp locations.

New York City Calendar #44957

Ordering Information

Example Order: - - - - -

Housing

Lamps

Finish

Voltage

Options

Lenses/Filters

RAN7038MH - 70W PAR38 CMH
RAN10038MH - 100W PAR38 CMH, 120V
RAN10038M - 100W PAR38 CMH, 277V

X1 - One
X2 - Two
X3 - Three
X4 - Four

B - Black
P - White
S - Silver

120V - Standard
Leave blank
277V

HB-24 - 27" Flat Hanger Bars
HBC-24 - 25" C-Channel Hanger Bars

LF30 - **A, B, CL, DPE, G, LB, R, RO, Y, 73, LS, SL, UV**
 4-11/16" Dia. tempered glass lenses
LA-38 - Black Honeycomb Louver
Limit: (3) Elements per lamp

Color/Pattern Legend
-A (Amber), **-B** (Blue), **-CL** (Clear),
-DPE (Dichroic Peach), **-G** (Green),
-LB (Light Blue), **-R** (Red), **-RO** (Rose),
-Y (Yellow), **-73** (Spread Lens), **-LS** (Linear Spread Lens), **-SL** (Soft Light),
-UV (Optivex UV Filter)



1-800-728-0312

www.con-techlighting.com

All specifications subject to change without notice.