

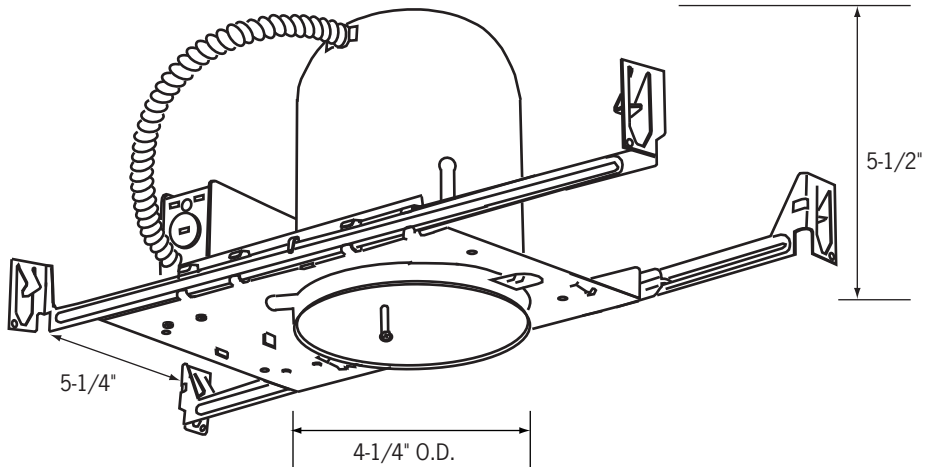
# RL16

## 4" Line Voltage MR16 New Construction Housing

Catalog No. \_\_\_\_\_

Type \_\_\_\_\_

Project \_\_\_\_\_



Master Frame: 8" x 5-1/2"

### Specifications/Features

#### Housing/Mounting

Compact 4" downlight housing for new construction applications.  
For dry wall, plaster or suspended ceilings.  
Housing height is internally adjustable with slotted screws.  
Aluminum reflector (lamp cover) provided.

#### Lamp/Electrical

(1) 45W 120V MR16 lamp, GV8.0 base (max).  
Lamp not supplied with fixture. Must be ordered separately.  
Junction Box has (4) 1/2" pry-outs with spring latch access plates.  
Thermally protected.

#### Trims

Many different trims options are available to complement any design style. See "Trims for 4" Line Voltage Recessed Housings" spec sheet for selection and ordering information.

#### Warranty

This fixture is covered by Con-Tech's full one year replacement guarantee after date of purchase.

#### Listing

cULus listed. Suitable for damp locations.  
New York City approved, calendar number 38645.

### Ordering Information

Example Order:

RL16

CTRI602-B-BLK

Housing

RL16

Trims

For Trims, see "Trims for 4" Line Voltage Recessed Housings" spec sheet.

