



# RL38ICLGM

6" StopAire® Insulated Ceiling Downlight  
with Pure Light 11W PAR38,  
GU24 Base LED Lamp

Catalog No. \_\_\_\_\_

Type \_\_\_\_\_

Project \_\_\_\_\_

## Specifications/Features

### Housing

Will work in ceiling thickness from 1/2" - 1-3/4".  
Galvanized steel construction.  
Dual Extension bars adjustable for 16" and 24" center joists (14-1/4" - 24-1/2").  
Nailer bar hangers with locking screw for easy installation. Hanger bars may be extended to rest on T-bar ceilings. Optional clip-on T-bar hangers also available.  
Conforms to Washington State Energy code (WSEC) for low air infiltration. Tested in accordance with ASTM E283 (2.0 CRM or less).

### Lamp

Energy efficient, 11W PAR38 LED lamp powered with CREE TrueWhite™ Technology.  
A better way to generate white light that uses a patented mixture of unsaturated yellow and saturated red LEDs.  
Designed to last 35,000 hours.  
Color management system maintains color consistency over time and temperature.  
Color Rendering Index of 93.  
Correlated Color Temperature of 2700°K.  
Lumen output = 604 (56 Lumens per Watt).  
19° Beam spread with Center Beam Candle Power (CBCP) of 4,500.  
R9 Red color value of 93.  
Durable die-cast aluminum housing with tempered glass lens to protect the LEDs and reflector.

### Electrical

10.8W, 120V (+/- 10V), E26 Base.  
Prewired junction box with convenient screwdriver pry-outs: (4) 1/2", (1) 1/2" x 3/4" concentric and (4) Romex knockouts.  
Spring-latch access plates.  
Quick connect, push-in wire connectors provided.  
Approved for through-branch (4 in/4 out) (8) #12 AWG wiring.

### Trims

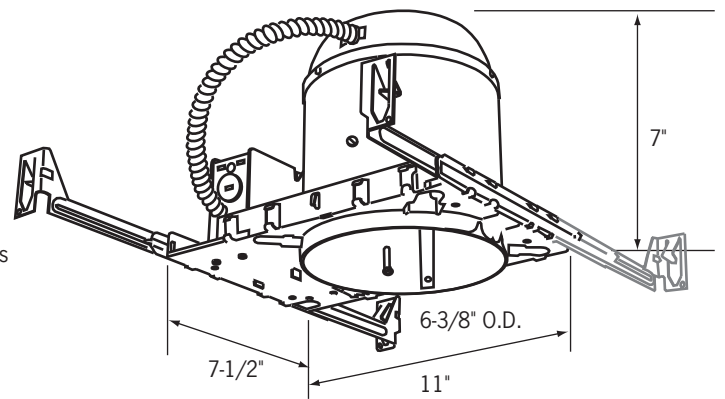
Self flanged, tapered baffle. Black baffle with black trim ring (-B), White baffle with white trim ring (-WHT), Clear Specular Reflector (-CLR) or Matte Platinum Reflector (-PL).

### Warranty

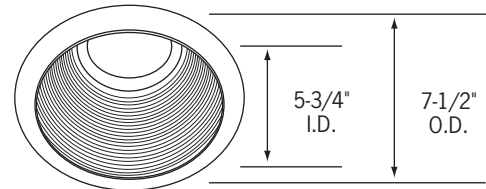
This complete fixture is covered by Con-Tech's full five (5) year replacement guarantee after date of purchase.

### Listing

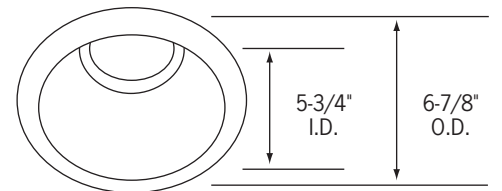
CSA listed. Suitable for damp locations.



Ceiling Opening: 6-1/2"  
Ceiling Thickness: 1/2" - 1-3/4"



Baffled Trims



Reflector Trims

## Ordering Information

Example Order:  -

Housing

RL38ICLGM

Trim Color

**B** - Black Baffle/Trim  
**CLR** - Clear Specular Reflector  
**PL** - Matte Platinum Reflector  
**WHT** - White Baffle/Trim

Options

**HB-30** - Optional T-Hanger Bar



# RL38ICLGM

6" StopAire® Insulated Ceiling Downlight  
with Pure Light 11W PAR38 LED Lamp

Catalog No. \_\_\_\_\_

Type \_\_\_\_\_

Project \_\_\_\_\_

## Photometrics

**Light Output (Lumens):** 604

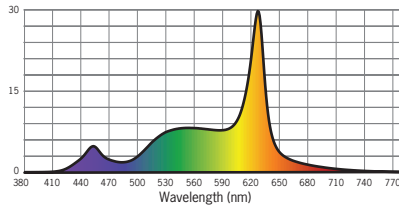
**Total Watts@120V:** 10.8

**Lumens Per Watt:** 56

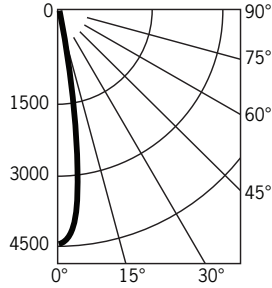
**Color Rendering Index (CRI)<sup>1</sup>:** 93

**Color Temperature (CCT)<sup>2</sup>:** 2700K Warm White

**Spectral Power Distribution Chart<sup>3</sup>**



**Candela Curve**



**Candlepower Summary**

FROM 0	CANDELA	LUMENS
0	4485	
5	3829	305
15	680	220
25	87	52
35	24	8
45	8	5
55	5	6
65	5	7
75	0	1
85	0	0
95	0	

**Intensity Distribution**

DISTANCE (FT.)	FOOTCANDLES (FC)	BEAM DIAMETER (FT.)
6'	124.6	1.9
8'	70.1	2.6
10'	44.8	3.2
12'	31.1	3.9
14'	22.9	4.5
16'	17.5	5.2

**Beam Distribution: 19°**

Designed for 50,000 Hour Lamp Life\*; LM-79 Test No. 68413

1. Accuracy of rendering colors  
2. Color appearance of light source  
3. Colors present within the light source

\*Dependent on surrounding temperatures